

The single-axis controller S9 is a rugged switching device according IEC/EN 60947-5-1 for electro-hydraulic applications. The S9 is resistant to oil, maritime climate, ozone and UV radiation.

mechanical life 5 million operating cycles
operating force 1,6 N up to 3,5 N
max. load 200 N
permissible ambient temperature -40° C up to +80° C

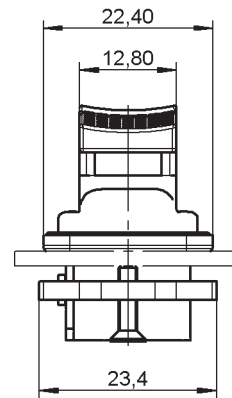
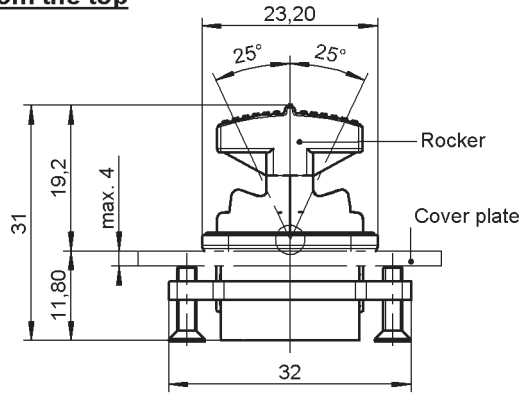
climate resistance
damp heat constant/cyclic IEC 60068-2-78/30
degree of protection front IP 67 IEC/EN 60529

EMC
emitted interference EN61000-6-4
interference resistance EN61000-4-3 inspection level 3
 (10 V/m, 80-1000 MHz)
 EN61000-4-6 inspection level 3
 (10 V/m, 0,15-80 MHz)
ESD EN61000-4-2 inspection level 4
 (contact discharge method 8 kV, air discharge method 15 kV)
magnetic induction EN61000-4-8 inspection level 4 (30 A/m)

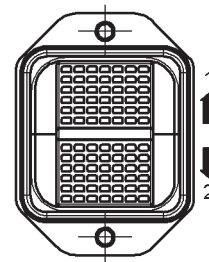
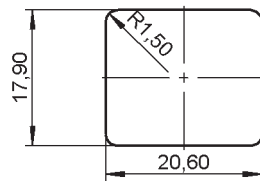
Pos.	S 9	Type expansion	Weight gramm	Type	Price EURO
7	Single-axis controller			S9	
38	spring return in 0-position (included)			Z	
40	Magnet for redundant hall sensors Voltage output 0,5...2,5...4,5V (output characteristic linear)			S	
41	redundant co-rotating			E471	
42	redundant counterrotating			E471	
	Technical Data: Power supply 5V DC Output 0,5V (+/-0,1V) 2,5V (+/-0,2V) 4,5V (+/-0,1V) Current drain 22mA Crowbar +20V DC, -10V DC				
	Type S9-0ZS-E <input type="checkbox"/> <input type="checkbox"/> <input type="checkbox"/>				



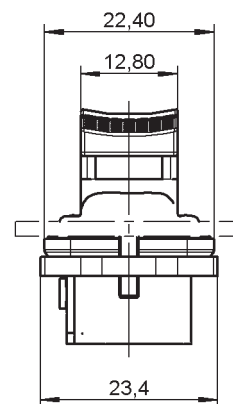
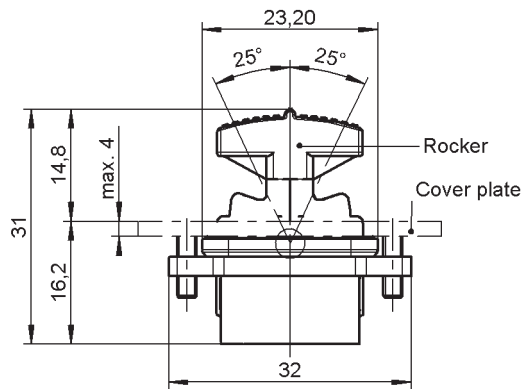
Mounting from the top



Hole pattern
(from the top)



Mounting from below



Hole pattern
(from below)

