



Type S4-01-2 ...

The single-axis controller S 4 is designed as a rugged switching device according to IEC/EN 60947-5-1. The S 4 is resistant to oil, maritime climate, ozone and UV radiation.
Depending on the current position of the operating lever, a certain digital output signal is generated.
The following variations are available:
various detents (rest- or tip-function), switching sequences, handle versions.
The modular micro change over silver contacts are positive opening.
Gold-plated (ca. 0,2µ) contacts are also available.
The switching point accuracy is ±0,15 mm

Contact complement 2 A 250 V AC 15 or 3 A 24 V DC 13

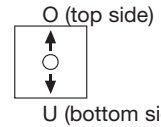
Microswitch terminal

Mechanical life
Permissible ambient temperature

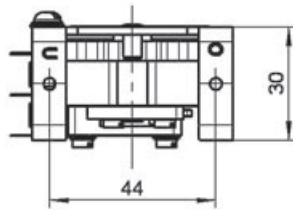
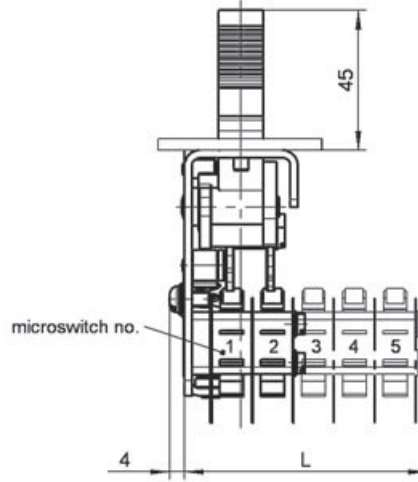
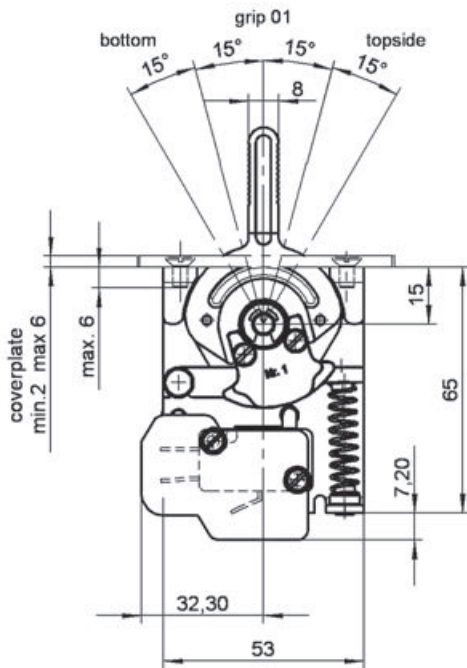
screwed no. 1, faston terminals no. 2 6,3x0,8mm
6 million (operating cycles)
Operation -40° C to +60° C
Storage -50° C to +80° C

Climate resistance
Damp heat constant IEC 60068-2-78
Damp heat cyclic IEC 60068-2-30
Degree of protection front IP 00 IEC/EN 60529
Technical data / description data see catalog 4/010

Spindle block with schematic representation of the microswitch and deflection directions.

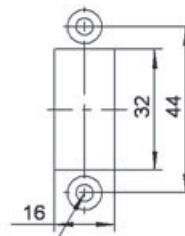


Pos.	S 4	Type expansion	Weight gramm	Type	Price EURO
1			180	S 4	
2					
3					
4					
5					
15	Control-handle with grip 01 (included in Pos. 1)			01	
16	Control-handle with grip 02			02	
17	Control-handle with grip 03			03	
18	Control-handle with grip 04			04	
19	Control-handle with grip 05			05	
27	Control-handle with grip 13			13	
28	Control-handle with grip 14			14	
29	Control-handle with grip 15			15	
30	Microswitch		No. of contacts 1	1	
31	detend and switching sequence		2	2	
32	see catalog 4/010		3	3	
33			4	4	
34			5	5	
35	contacts gold-plated ca. 0,2 µ each microswitch			G	
36	switching point accuracy ±0,05 mm each microswitch				



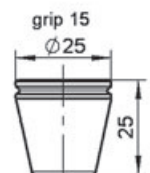
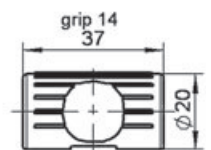
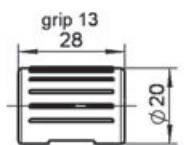
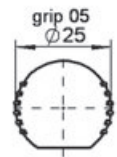
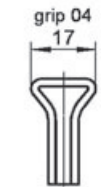
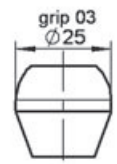
no. of microswitch	dimension L
1	30
2	30
3	44
4	53
5	64

hole pattern



chamfering DIN 66-4

Grip versions
Grip 01 (shown)



Ordering information (versions) see catalog 4/010

S 4	-	01	-	2	-	MS31	/	03 S	/	11 G	/	• • •	-	2	-	X
Single-axis controller (Lever switches)		Grip version		Number of microswitches		Detend no.		Microswitch 1 Program no. Silver-contact		Microswitch 2 Program no. Gold-plated contact		Microswitch 3 • • •		Microswitch terminal		Special please describe