



Type S3LQ-2ZP-B...

The single-axis controller S 3 is a rugged switching device according IEC/EN 60947-5-1 for nautical navigation applications. The modular design enables the switching device to be used universally. The S 3 is resistant to oil, maritime climate, ozone and UV radiation.

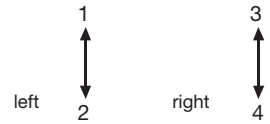
Contact complement 0,5 A 110 V AC 15 or 1,5 A 24 V DC 13
I min > 0,2 mA 2 V DC 12 Gold plated for max. load of 0,12 Watt (standard)

Mechanical life 12 million (operating cycles)
Permissible ambient temperature Operation -40° C to +60° C
Storage -50° C to +80° C

Climate resistance
Damp heat constant IEC 60068-2-78
Damp heat cyclic IEC 60068-2-30
Degree of protection front IP 66 IEC/EN 60529

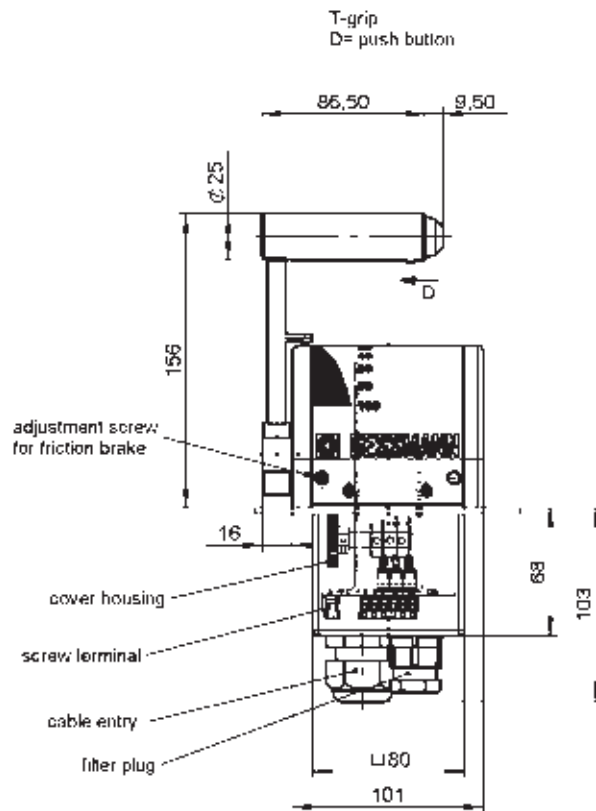
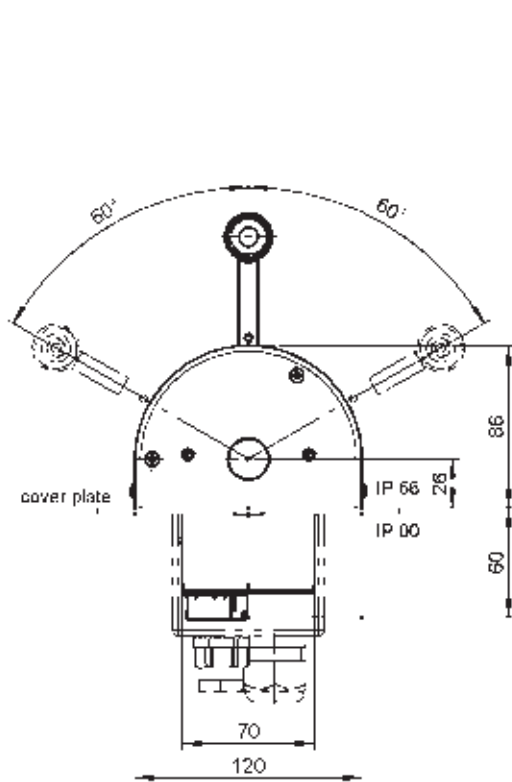
Technical data see catalog 4/100
Description data see catalog 4/020

Spindle block with schematic representation of the master controller installation and deflection directions.
Version shown for left-hand side installation (right-hand side installation is mirror image).



Deflection directions designated to DIN 15025

Pos.	S 3	Type expansion		Weight gramm	Type	Price EURO
1				2700	S 3	
2						
3						
4						
5						
7.1		Single-axis controller left (dir. 1-2)				L
7.2	Single-axis controller right (dir. 3-4)				R	
10						
20	Control-handle with knob solid					
21						
22						
23						
24	Control-handle with push button 1 NO			110	D	
25						
26	Control-handle with T-grip			40	Q	
27	Control-handle with T-grip and push button side 1 NO			60	QD	
28	Control-handle long or short					
28.2	-20 mm				S5	
28.3	+20 mm				S8	
30	Masterswitch (contact) switching sequence -0-		No. of contacts 1	20	1	
31			2	40	2	
32	Direction 1-2 or 3-4		3	60	3	
33	Switching program according contact-arrangement MS... see catalog 4/001	A...				
34	or to your contact-arrangement					
35						
36	Switching sequence special					
38	Spring return in 0-position (for each direction)			30	Z	
39	Friction brake adjustable (for each direction)			30	R	
40	Potentiometer e.t.c. each direction with mounted Conductive-plastic potentiometer T 246, with centre tap linear Life 10 ⁷ switching cycles resistance 2 x 5 kOhm, 0,5 Watt wiper current max. 1 mA	...P214		70	P	
41	Prepared for mounting potentiometer shaft 6 mm adjusting-angle 2 x 75°				(P)	
42	Prepared for mounting potentiometer e.t.c. adjusting-angle variable.				(P)	
43	more Potentiometer e.t.c. see catalog 1/240ff	P...				
45	Electronic (voltage and power output) see catalog 3/510ff	E...				
50	Cover housing			300	B	
51	Filter plug M 20 for air-condition			20		
52	Cable entry M 25 with anti-kink protection			30		
60	Indicating label eloxal aluminium plate silvery (included in the spindle block)					
61	Engraving, each 10 characters (black)					
62	Engraving, each 10 characters (multicolour)					



hole pattern

