



CUSTOMER: _____ **DATE:** _____

CONTACT: _____ **PHONE:** _____ **FAX:** _____

1) APPLICATION

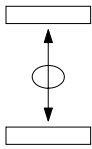
- INDOOR OUTDOOR MARINE ENVIRONMENT MOBILE EQUIPMENT OVERHEAD CRANE/HOISTING CRANE CHAIR
- PORTABLE EQUIPMENT FOOT PEDAL OTHER _____

2) CONTROLLER SIZE & DURABILITY

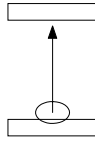
- MINIATURE: V10 H100 H7 V14 V20 S14 MEDIUM: V11 V8 D8
- SMALL: V5 VV5 S2 S21 S22 S23 S24 N6 LARGE: V3 V6 VV6 D64 DD64 K2

3) CONTROLLER FUNCTIONS

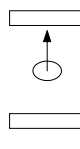
SINGLE AXIS (PICK 1 OF 3 ITEMS BELOW)



STANDARD BI-DIRECTIONAL

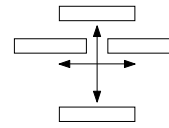


FULL TRAVEL UNI-DIRECTIONAL

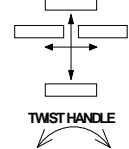


CENTER TO END UNI-DIRECTIONAL

DUAL AXIS



MULTI AXIS



TWIST HANDLE

4) SWITCH SPECIFICATIONS

LEFT HAND MOUNTING

- VOLTAGE _____ AC/DC CURRENT _____ AMPS.
 DIRECTION 1&2 DIRECTION 3&4
 NUMBER OF CONTACTS _____ NUMBER OF CONTACTS _____
 STEPLESS OR STEPS _____ STEPLESS OR STEPS _____
- SPRING RETURN SPRING RETURN
 - FRICTION BRAKE FRICTION BRAKE
 - POTENTIOMETER _____ POTENTIOMETER _____
 - ELECTRONICS ELECTRONICS

RIGHT HAND MOUNTING

- VOLTAGE _____ AC/DC CURRENT _____ AMPS.
 DIRECTION 5&6 DIRECTION 7&8
 NUMBER OF CONTACTS _____ NUMBER OF CONTACTS _____
 STEPLESS OR STEPS _____ STEPLESS OR STEPS _____
- SPRING RETURN SPRING RETURN
 - FRICTION BRAKE FRICTION BRAKE
 - POTENTIOMETER _____ POTENTIOMETER _____
 - ELECTRONICS ELECTRONICS

5) ELECTRONICS

A) VALVE SPECIFICATIONS

VALVE MANUFACTURE _____ MODEL NUMBER _____

SUPPLY VOLTS: _____ VDC COIL RESISTANCE: _____ OHMS THRESHOLD: _____ mA MAX. OUTPUT _____ mA

SINGLE COIL DUAL COIL FLOW CONTROL SWITCHES FOR DIRECTIONAL VALVES PWM FREQUENCY: _____ Hz

B) SIGNAL OUTPUTS

SUPPLY VOLTS: _____ VDC 4-20mA 0-20mA 0-10V -10V to +10V OTHER _____

C) OPTIONS FOR BOTH

SINGLE MAX. (A ADJ.) DUAL MAX. (A & B ADJ.) DUAL RANGE _____ mA RAMP TIME _____ SEC.

6) HANDLE TYPE

- STANDARD KNOB MECHANICAL INTERLOCK PUSHBUTTON DEADMAN PUSH DEADMAN PULL DEADMAN
- PALM HANDLE _____

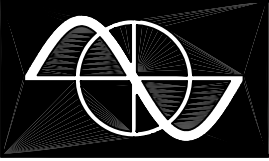
7) NAMEPLATE SPECIFICATIONS

- STANDARD NAMEPLATE _____ SPECIAL NAMEPLATE (ATTACH LAYOUT DRAWING OR SPECIFICATIONS)

8) ENCLOSURE

- GENERAL PURPOSE WEATHERPROOF CORROSIVE RESISTANT (PLASTIC) PORTABLE CONSOLES
- ENCLOSURE DIMENSIONS L= _____ W= _____ H= _____ TS1 TS2

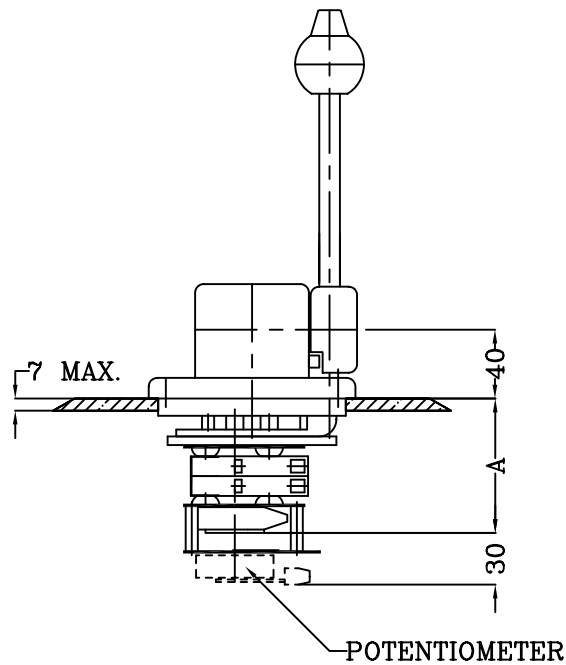
9) NOTES



**SENETT
CONTROL
CO. LTD.**

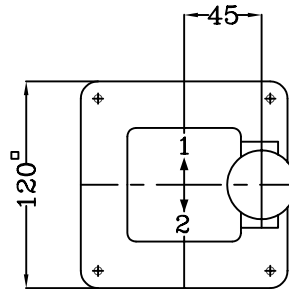
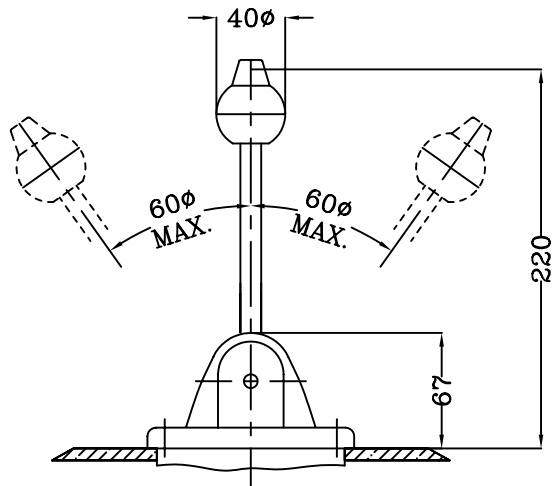
K2 SINGLE AXIS MASTER SWITCH

**VER.3
3.6.1**



THE K2 MASTER SWITCH IS RUGGED, COMPACT AND IT'S MODULAR DESIGN IS SUITABLE FOR ALMOST ANY APPLICATION. IT IS BUILT FOR 10 MILLION OPERATIONS. IT IS OIL, OZONE, UV AND SALT ATMOSPHERE (OCEAN CONDITION) RESISTANT. CONTACTS RATED AT
2A 250V AC15 RES.
1A 24V DC13 (GREY STANDARD) OR
4A 250V AC15 (YELLOW SPECIAL)

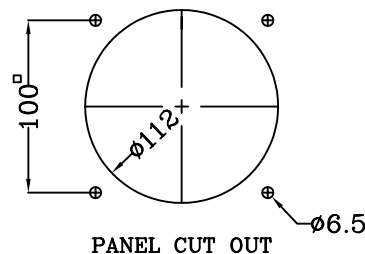
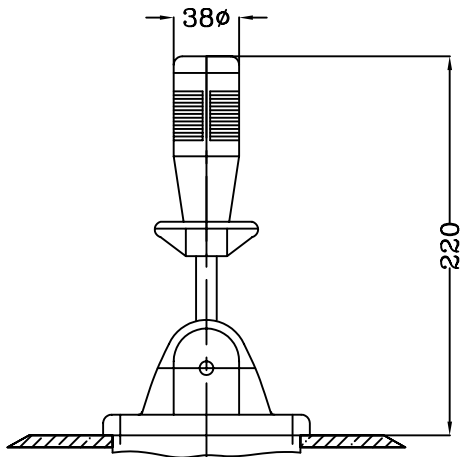
S800a DC CONTACTS (NOT CSA)
25A 24VDC, 25A 80VDC,
18A 110VDC, 1A 220VDC
DEGREE OF PROTECTION
FRONT: IP65
K2 SWITCHES ARE IEC 9475-1,
VDE 0660-200, CSA APPROVED.
FILE# 154946



STANDARD CONTACTS

SIZE	# OF CONTACTS	A DIMENSION
01	2	119
02	4	131
03	6	144
04	8	156
05	10	169
06	12	181

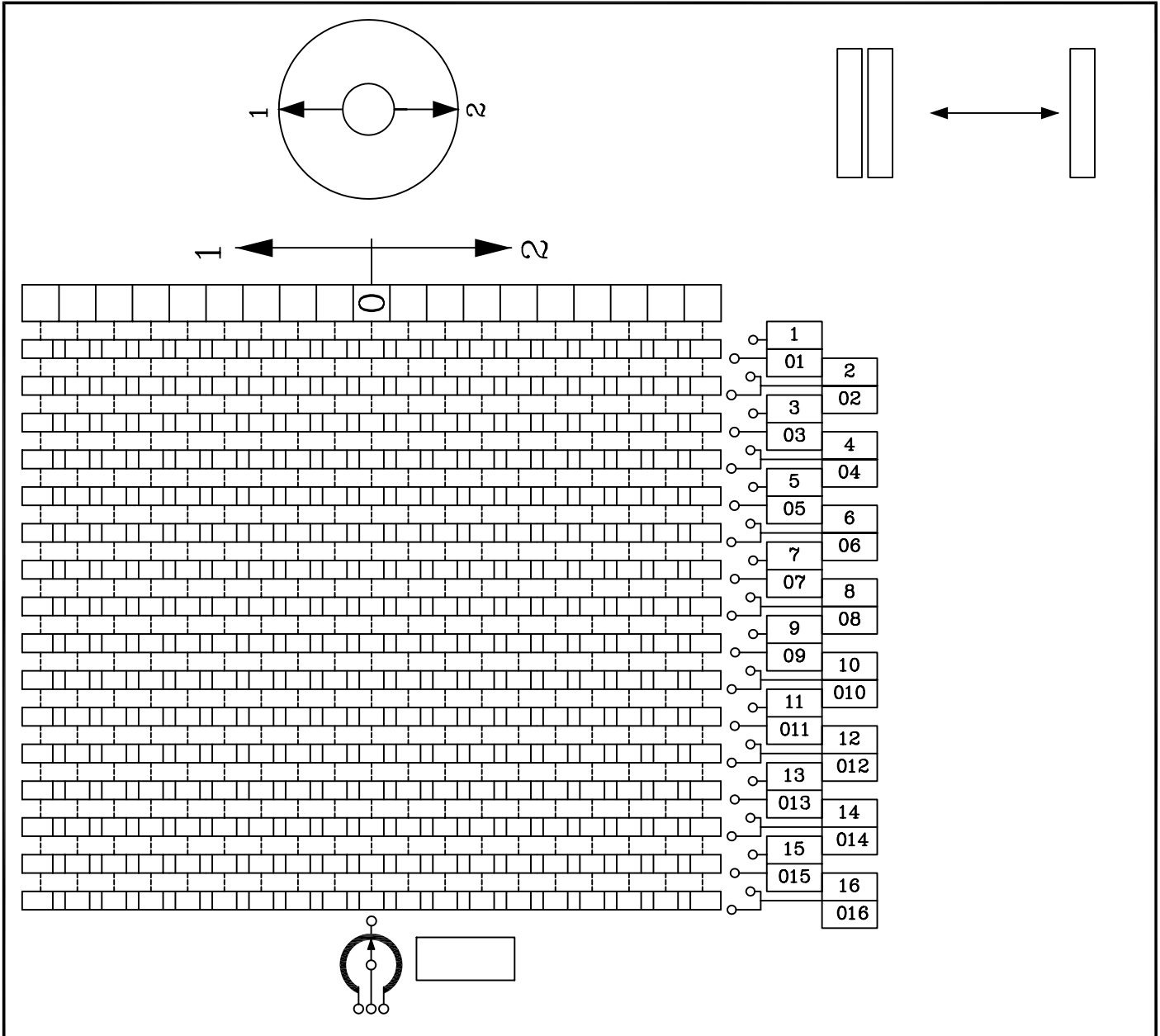
B1 PALM HANDLE



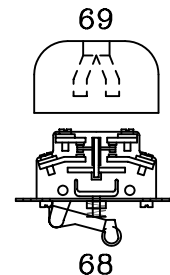
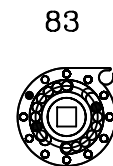
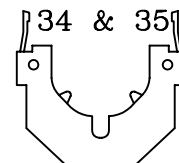
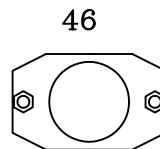
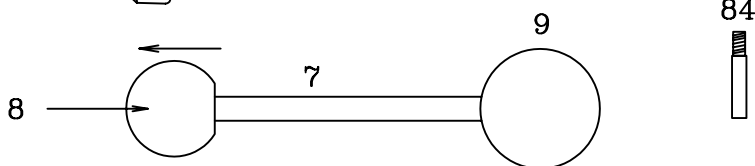
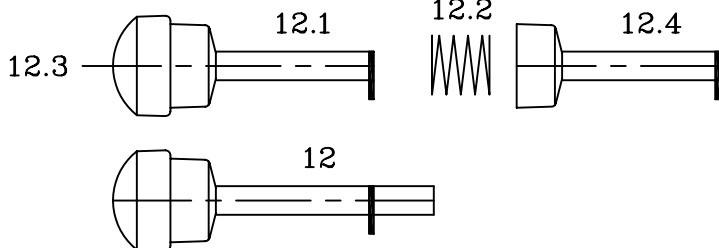
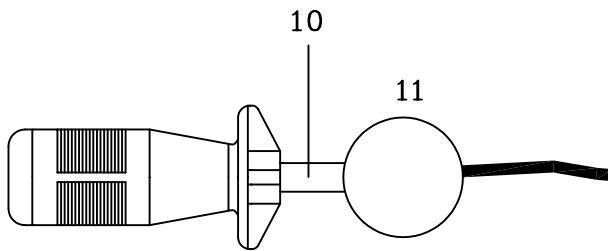
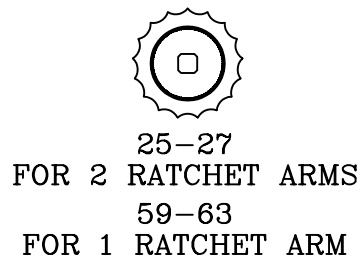
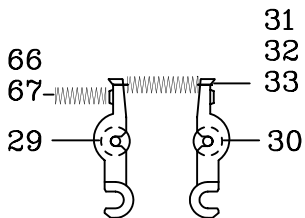
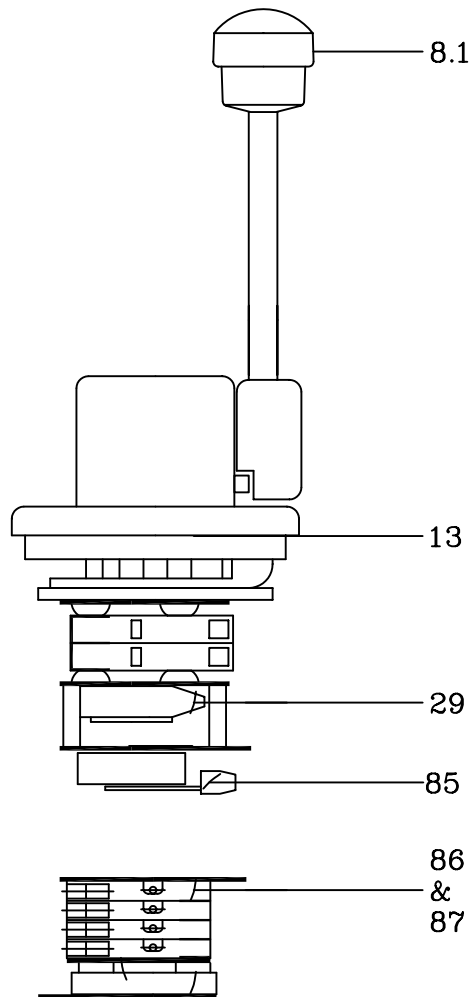
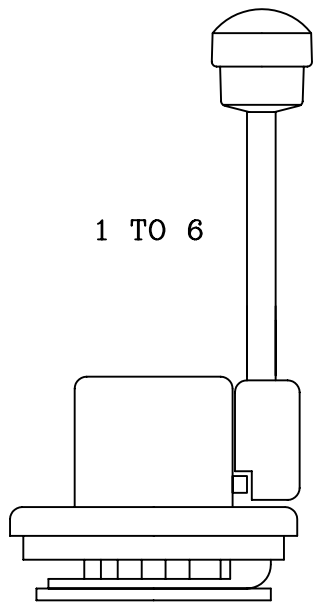
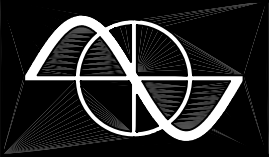
S800 DC CONTACTS

SIZE	# OF CONTACTS	A DIMENSION
1	1	125
2	2	134
3	3	154
4	4	164
5	5	183
6	6	194
7	7	212
8	8	224
9	9	241
10	10	254
11	11	270
12	12	284
13	13	298
14	14	312

○	K2-MASTER SWITCH S6-MASTER SWITCH
○	X-STANDARD HANDLE B-PUSH BUTTON IN HANDLE SPECIAL HANDLE SEE SECT. 5
○	CONTACT ARR. DIR. 1-2 A-Z-FROM SHEET 20.2.1 O-SPECIAL CONTACT ARR. X-IF NOT REQUIRED
○	Z-SPRING RETURN T-BRAKE ADJUSTABLE
○	P-POTENTIOMETER SEE SECT. 6 P-POTENTIOMETER MOUNTING X-IF NOT REQUIRED
○	1-M-STANDARD NAMEPLATE. SECT. 20.1 X-IF NOT REQUIRED O-SPECIAL NAMEPLATE MARK IN CHART
○	G-GENERAL PURPOSE ENCL. W-WEATHERPROOF ENCL. O-OPEN TYPE SWITCH



GESSMANN K2 & S6 MASTER SWITCH		JOB #
DATE:	FROM:	
NAME:		





PART#	DESCRIPTION
1	DRIVE WITH STANDARD HANDLE WITHOUT RETURN SPRING
2	DRIVE WITH STANDARD HANDLE c/w RETURN SPRING
3	DRIVE FOR B_ HANDLE WITHOUT RETURN SPRING
4	DRIVE FOR B_ HANDLE c/w RETURN SPRING
5	DRIVE WITH MECHANICAL INTERLOCK WITHOUT RETURN SPRING
6	DRIVE WITH MECHANICAL INTERLOCK c/w RETURN SPRING
7	STANDARD SHAFT
8	ROUND KNOB
8.1	SOLID KNOB
9	JOINT BRACKET FOR STANDARD SHAFT
10	STANDARD SHAFT FOR PALM HANDLE
11	JOINT BRACKET FOR STANDARD SHAFT FOR PALM HANDLE
12	STANDARD SHAFT ASSEMBLY FOR MECHANICAL INTERLOCK 'M'
12.1	TOP KNOB,SPRING AND BOTTOM FOR MECHANICAL INTERLOCK 'M'
12.2	SPRING FOR MECHANICAL INTERLOCK 'M'
12.3	TOP HALF KNOB FOR MECHANICAL INTERLOCK 'M'
12.4	BOTTOM KNOB& LEVER FOR MECHANICAL INTERLOCK 'M'
13	GASKET
25	0 STEP RATCHET (SMOOTH) FOR TWO RATCHET ARMS
26	4 STEP RATCHET FOR TWO RATCHET ARMS
27	6 STEP RATCHET FOR TWO RATCHET ARMS
29	RATCHET ARM
30	RATCHET ARM ROLLER BEARING
31	RATCHET ARM SPRING WEAK FOR TWO RATCHET ARMS
32	RATCHET ARM SPRING NORMAL FOR TWO RATCHET ARMS
33	RATCHET ARM SPRING STRONG FOR TWO RATCHET ARMS
34	CONTACT SET 6A 250V AC GRAY
35	CONTACT SET 6A 250V AC YELLOW
42	BLANC PLASTIC CAM
46	FRICTION BRAKE ASSEMBLY
59	0 STEP RATCHET (SMOOTH) FOR ONE RATCHET ARM
60	4 STEP RATCHET FOR ONE RATCHET ARMS
61	6 STEP RATCHET FOR ONE RATCHET ARMS
62	7 STEP RATCHET FOR ONE RATCHET ARMS
63	9 STEP RATCHET FOR ONE RATCHET ARMS
66	RATCHET ARM SPRING NORMAL FOR ONE RATCHET ARM
67	RATCHET ARM SPRING STRONG FOR ONE RATCHET ARM
68	DC CONTACT S800a
69	BLOW OUT CAP
83	RETURN SPRING
84	RETURN SPRING POSITION BOLT
85	POTENTIOMETER SEE SECTION 6
86	SWITCH CONTACT ASSEMBLY AC
87	SWITCH CONTACT ASSEMBLY DC