



Type D3LQQ-2ZP+2ZP-B...

The double-handle controller D 3 is a rugged switching device according IEC/EN 60947-5-1 for nautical navigation applications. The modular design enables the switching device to be used universally. The D 3 is resistant to oil, maritime climate, ozone and UV radiation.

Contact complement 0,5 A 110 V AC 15 or 1,5 A 24 V DC 13
I min > 0,2 mA 2 V DC 12 Gold plated for max. load of 0,12 Watt (standard)

Mechanical life 12 million (operating cycles)
Permissible ambient temperature Operation -40° C to +60° C
Storage -50° C to +80° C

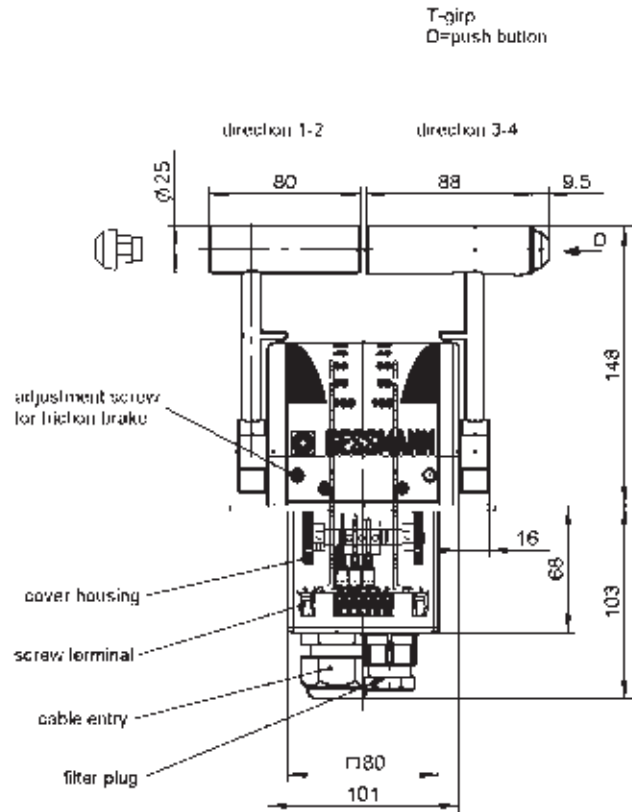
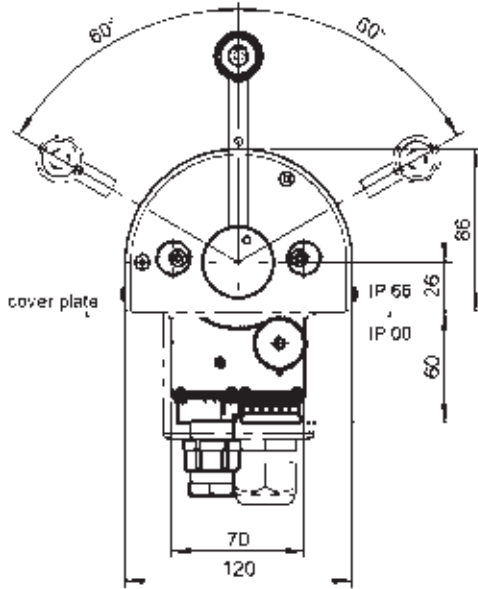
Climate resistance
Damp heat constant IEC 60068-2-78
Damp heat cyclic IEC 60068-2-30
Degree of protection front IP 66 IEC IEN 60529
Technical data see catalog 4/100
Description data see catalog 4/020

Spindle block with schematic representation of the master controller installation and deflection directions.
Version shown for left-hand side installation (right-hand side installation is mirror image).

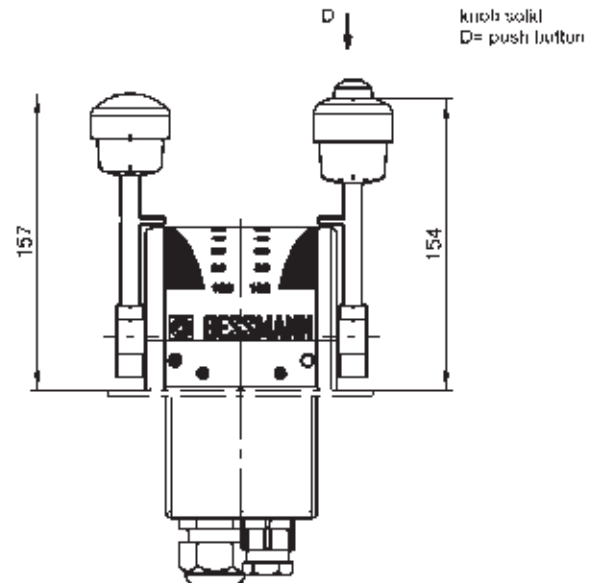
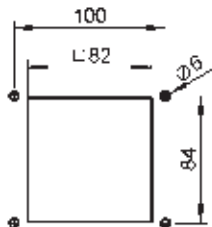


Deflection directions designated to DIN 15025

Pos.	D 3	Type expansion		Weight gramm	Type	Price EURO
1						
2						
3				4000	D 3	
4						
5						
7	Double-handle controller left/right (dir. 1-2, 3-4)					
10						
20	Control-handle with knob solid					
21						
22						
23						
24	Control-handle with push button 1 NO			110	D	
25						
26	Control-handle with T-grip			40	Q	
27	Control-handle with T-grip and push button side 1 NO			60	QD	
28	Control-handle long or short					
28.2					S5	
28.3					S8	
29						
30	Masterswitch (contact) switching sequence -0-		No. of contacts 1	20	1	
31			2	40	2	
32	Direction 1-2 and 3-4 each 1 masterswitch		3	60	3	
33	Switching program according contact-arrangement MS... see catalog 4/001	A...				
34	or to your contact-arrangement					
35						
36	Switching sequence special					
38						
39	Friction brake adjustable (for each direction)			30	R	
40	Potentiometer e.t.c. each direction with mounted Conductive-plastic potentiometer T 246, with centre tap linear 0,5 Watt wiper current max. 1 mA, resistance 2 x 5k ± P214	...P21 □		70	P	
41	Prepared for mounting potentiometer shaft 6 mm adjusting-angle 2 x 75°				(P)	
42	Prepared for mounting potentiometer e.t.c. adjusting-angle variable.				(P)	
43	more Potentiometer e.t.c. see catalog 1/240ff	P...				
45	Electronic (voltage and power output) see catalog 3/510ff	E...				
50	Cover housing			300	B	
51	Filter plug M 20 for air-condition			20		
52	Cable entry M 25 with anti-kink protection			30		
60	Indicating label eloxal aluminium plate silvery (included in the spindle block)					
61	Engraving, each 10 characters (black)					
62	Engraving, each 10 characters (multicolour)					



hole pattern



	D3	L	S5	QQ - 2	R	P + 1	R	P	-B-	-X-	A05	P214	+A98	P214	
double handle controller	_____	_____	_____	_____	_____	_____	_____	_____	_____	_____	_____	_____	_____	_____	Potentiometer description dir. 3-4 (7-8) see 1/240ff
installation side L o. R	_____	_____	_____	_____	_____	_____	_____	_____	_____	_____	_____	_____	_____	_____	Arrangement dir. 3-4 (7-8) see 4/001
special control handle	_____	_____	_____	_____	_____	_____	_____	_____	_____	_____	_____	_____	_____	_____	Potentiometer description dir. 1-2 (5-6) see 1/240ff
handle	_____	_____	_____	_____	_____	_____	_____	_____	_____	_____	_____	_____	_____	_____	Arrangement dir. 1-2 (5-6) see 4/001
contact set dir. 1-2 (5-6)	_____	_____	_____	_____	_____	_____	_____	_____	_____	_____	_____	_____	_____	_____	special please describe housing
friction brake dir. 1-2 (5-6)	_____	_____	_____	_____	_____	_____	_____	_____	_____	_____	_____	_____	_____	_____	Potentiometer dir. 3-4 (7-8)
Potentiometer dir. 1-2 (5-6)	_____	_____	_____	_____	_____	_____	_____	_____	_____	_____	_____	_____	_____	_____	friction brake dir. 3-4 (7-8)
contact set dir. 3-4 (7-8)	_____	_____	_____	_____	_____	_____	_____	_____	_____	_____	_____	_____	_____	_____	