

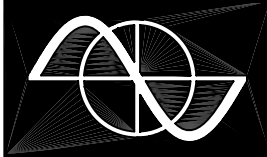
SENETT
CONTROL
CO. LTD.

HDDD64 DOUBLE HANDLE MASTER SWITCH

VER.3
2.4.0



**LARGE SIZE
FLANGE
MOUNTING
EXTRA MILL DUTY
4 DIRECTIONS
6-0-6 STEPS
14 CONTACTS
10A 250V DC
20 MILLION
OPERATIONS**



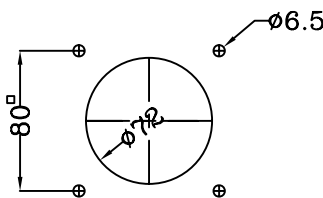
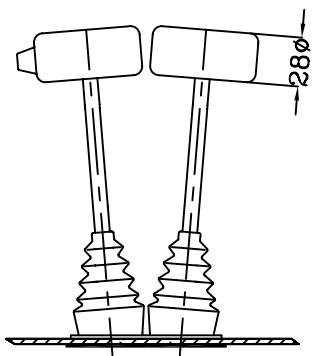
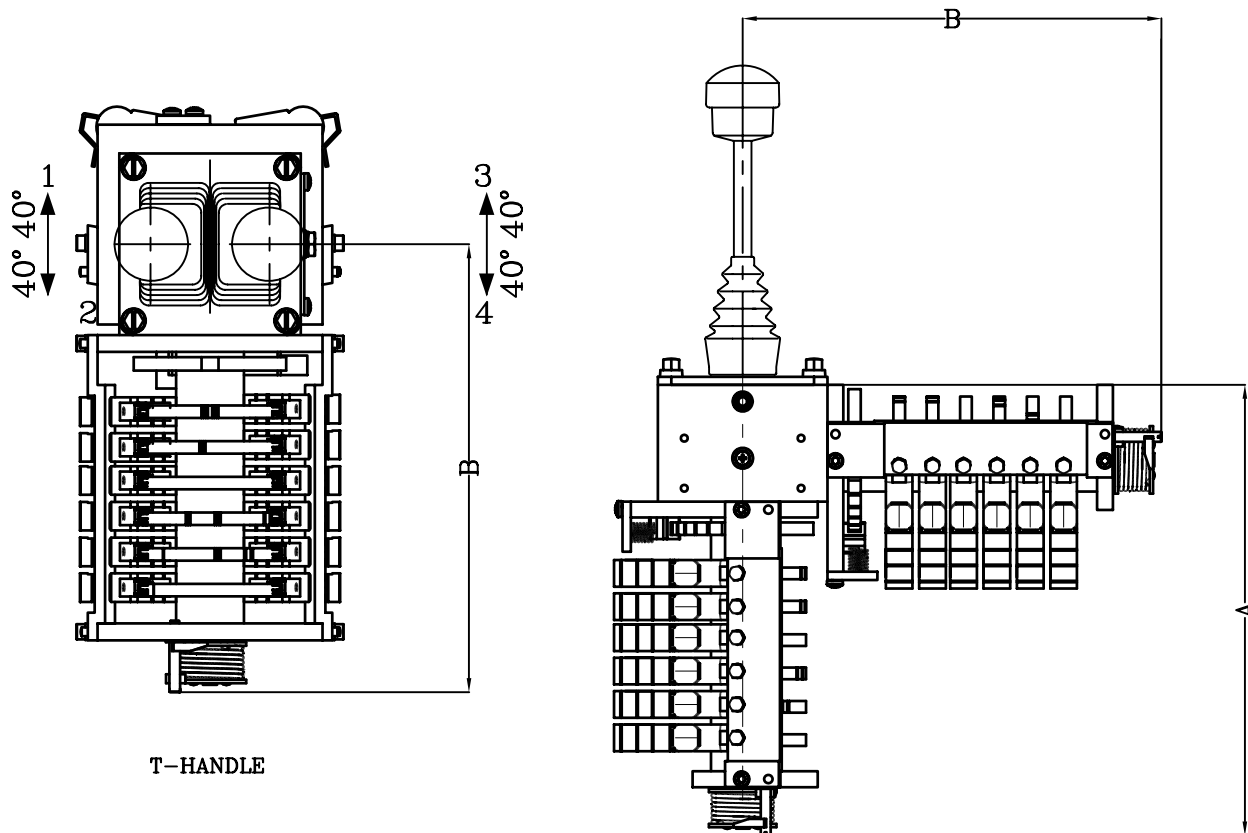
**SENETT
CONTROL
CO. LTD.**

HDDD64 DOUBLE HANDLE MASTER SWITCH

**VER.3
2.4.1**

THE HDDD64 MASTER SWITCH IS RUGGED, AND IT'S MODULAR DESIGN IS SUITABLE FOR ALMOST ANY APPLICATION. IT IS BUILT FOR 20 MILLION OPERATIONS. IT IS OIL, OZONE, UV AND SALT ATMOSPHERE(OCEAN CONDITION) RESISTANT.

CONTACTS RATED AT 10A 250V DC
DEGREE OF PROTECTION FRONT: IP54



PANEL CUT OUT

SIZE	# OF CONTACTS	A DIMENSION	B DIMENSION
01	2	180	160
02	4	200	180
03	6	220	200
04	8	240	220
05	10	260	240
06	12	280	260
07	14	300	280