



CUSTOMER: _____ **DATE:** _____

CONTACT: _____ **PHONE:** _____ **FAX:** _____

1) APPLICATION

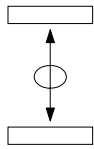
- INDOOR OUTDOOR MARINE ENVIRONMENT MOBILE EQUIPMENT OVERHEAD CRANE/HOISTING CRANE CHAIR
- PORTABLE EQUIPMENT FOOT PEDAL OTHER _____

2) CONTROLLER SIZE & DURABILITY

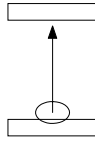
- MINIATURE: V10 H100 H7 V14 V20 S14 MEDIUM: V11 V8 D8
- SMALL: V5 VV5 S2 S21 S22 S23 S24 N6 LARGE: V3 V6 VV6 D64 DD64 K2

3) CONTROLLER FUNCTIONS

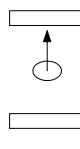
SINGLE AXIS (PICK 1 OF 3 ITEMS BELOW)



STANDARD BI-DIRECTIONAL

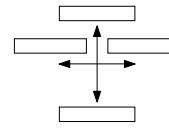


FULL TRAVEL UNI-DIRECTIONAL

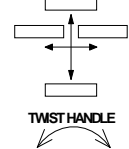


CENTER TO END UNI-DIRECTIONAL

DUAL AXIS



MULTI AXIS



TWIST HANDLE

4) SWITCH SPECIFICATIONS

LEFT HAND MOUNTING

- | | |
|--|--|
| VOLTAGE _____ AC/DC | CURRENT _____ AMPS. |
| DIRECTION 1&2 | DIRECTION 3&4 |
| NUMBER OF CONTACTS _____ | NUMBER OF CONTACTS _____ |
| STEPLESS OR STEPS _____ | STEPLESS OR STEPS _____ |
| <input type="checkbox"/> SPRING RETURN | <input type="checkbox"/> SPRING RETURN |
| <input type="checkbox"/> FRICTION BRAKE | <input type="checkbox"/> FRICTION BRAKE |
| <input type="checkbox"/> POTENTIOMETER _____ | <input type="checkbox"/> POTENTIOMETER _____ |
| <input type="checkbox"/> ELECTRONICS | <input type="checkbox"/> ELECTRONICS |

RIGHT HAND MOUNTING

- | | |
|--|--|
| VOLTAGE _____ AC/DC | CURRENT _____ AMPS. |
| DIRECTION 5&6 | DIRECTION 7&8 |
| NUMBER OF CONTACTS _____ | NUMBER OF CONTACTS _____ |
| STEPLESS OR STEPS _____ | STEPLESS OR STEPS _____ |
| <input type="checkbox"/> SPRING RETURN | <input type="checkbox"/> SPRING RETURN |
| <input type="checkbox"/> FRICTION BRAKE | <input type="checkbox"/> FRICTION BRAKE |
| <input type="checkbox"/> POTENTIOMETER _____ | <input type="checkbox"/> POTENTIOMETER _____ |
| <input type="checkbox"/> ELECTRONICS | <input type="checkbox"/> ELECTRONICS |

5) ELECTRONICS

A) VALVE SPECIFICATIONS

VALVE MANUFACTURE _____ MODEL NUMBER _____

SUPPLY VOLTS: _____ VDC COIL RESISTANCE: _____ OHMS THRESHOLD: _____ mA MAX. OUTPUT _____ mA

- SINGLE COIL DUAL COIL FLOW CONTROL SWITCHES FOR DIRECTIONAL VALVES PWM FREQUENCY: _____ Hz

B) SIGNAL OUTPUTS

SUPPLY VOLTS: _____ VDC 4-20mA 0-20mA 0-10V -10V to +10V OTHER _____

C) OPTIONS FOR BOTH

- SINGLE MAX. (A ADJ.) DUAL MAX. (A & B ADJ.) DUAL RANGE _____ mA RAMP TIME _____ SEC.

6) HANDLE TYPE

- STANDARD KNOB MECHANICAL INTERLOCK PUSHBUTTON DEADMAN PUSH DEADMAN PULL DEADMAN
- PALM HANDLE _____

7) NAMEPLATE SPECIFICATIONS

- STANDARD NAMEPLATE _____ SPECIAL NAMEPLATE (ATTACH LAYOUT DRAWING OR SPECIFICATIONS)

8) ENCLOSURE

- GENERAL PURPOSE WEATHERPROOF CORROSIVE RESISTANT (PLASTIC) PORTABLE CONSOLES
- ENCLOSURE DIMENSIONS L= _____ W= _____ H= _____ TS1 TS2

9) NOTES



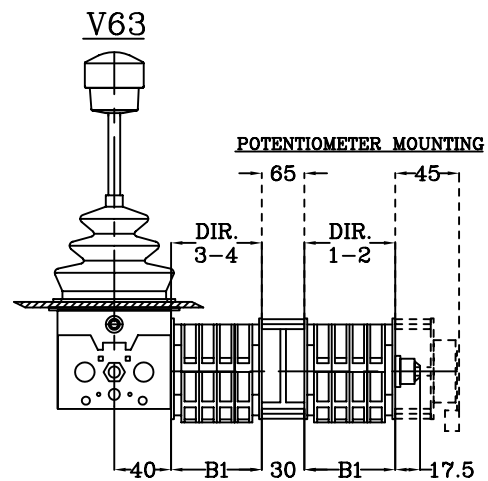
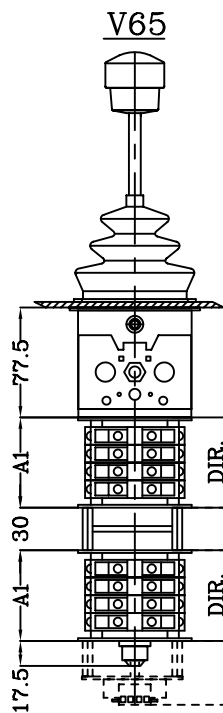
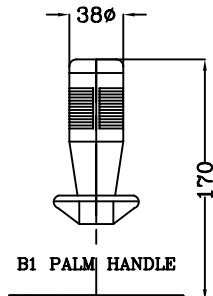
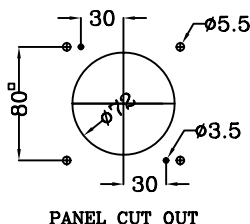
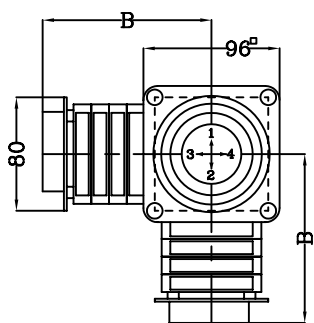
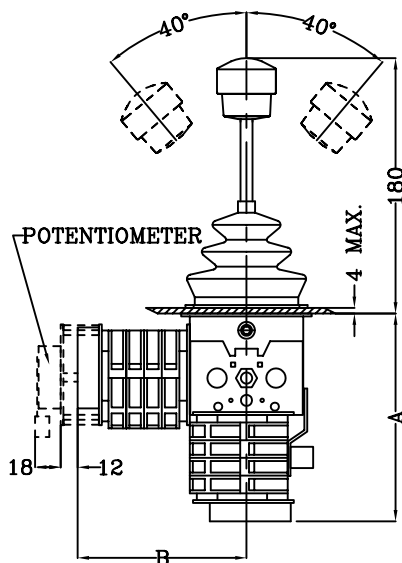
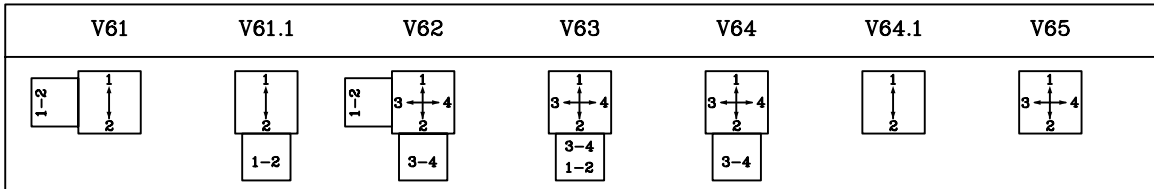
THE V6 MASTER SWITCH IS RUGGED, COMPACT AND IT'S MODULAR DESIGN IS SUITABLE FOR ALMOST ANY APPLICATION. IT IS BUILT FOR 10 MILLION OPERATIONS. IT IS OIL, OZONE, UV AND SALT ATMOSPHERE (OCEAN CONDITION) RESISTANT.

CONTACTS RATED AT 2A 250V AC15 RES. 1A 24V DC13 (GREY STANDARD). 4A 250V AC15 RES. (YELLOW SPECIAL) S800a DC CONTACT (NOT CSA)

25A 24VDC, 25A 80VDC, 18A 110VDC, 1A 220VDC

DEGREE OF PROTECTION FRONT: IP54

V6 SWITCHES ARE IEC 947-5-1, VDE 0660-200, CSA APPROVED. FILE# 154946

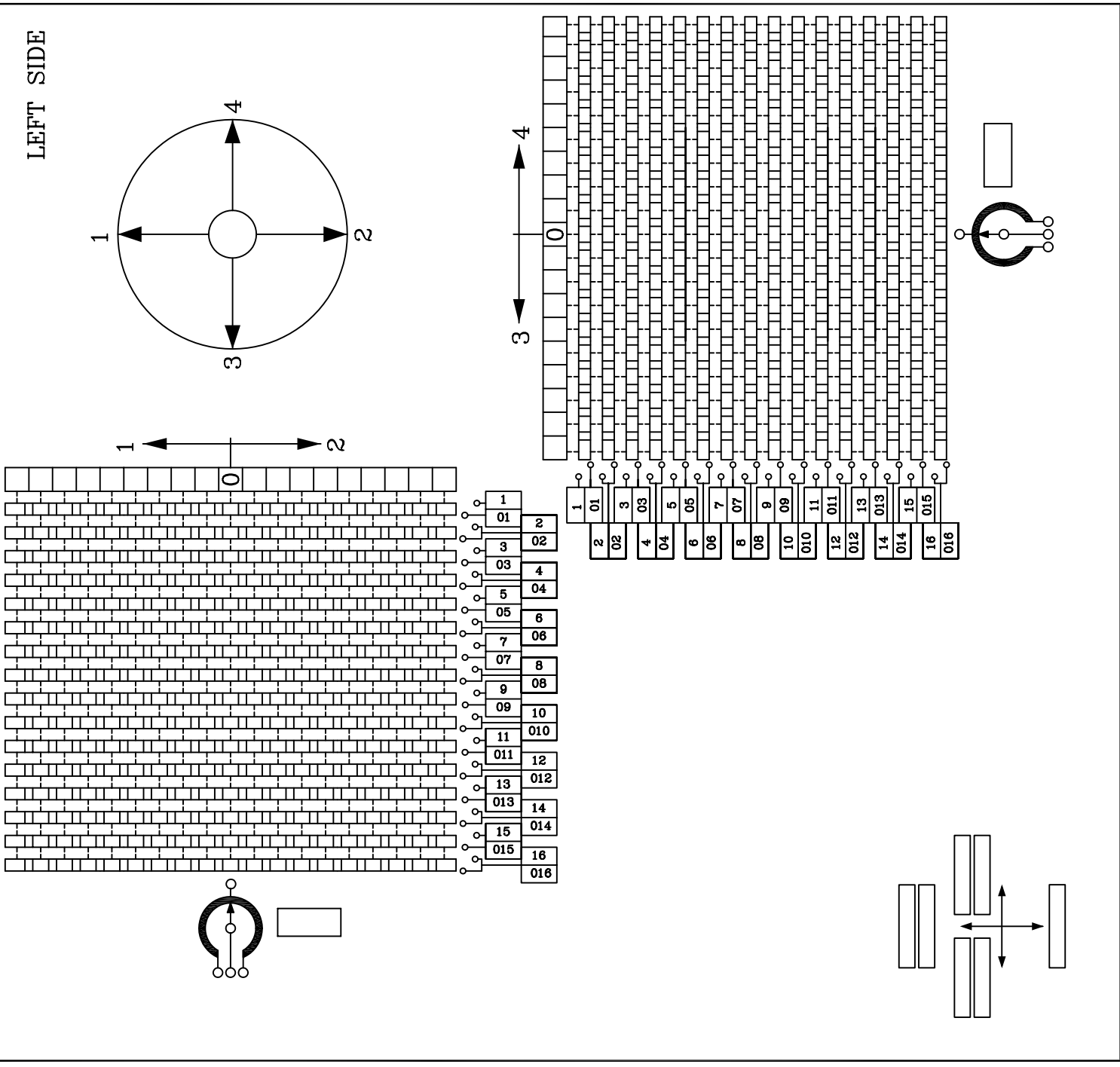


S800 DC CONTACTS

SIZE	# OF CONTACTS	A DIMENSION	B DIMENSION
1	1	125	85
2	2	134	99
3	3	154	114
4	4	164	128
5	5	183	143
6	6	194	157
7	7	212	172
8	8	224	186
9	9	241	201
10	10	254	215
11	11	270	230
12	12	284	244
13	13	298	258
14	14	312	272

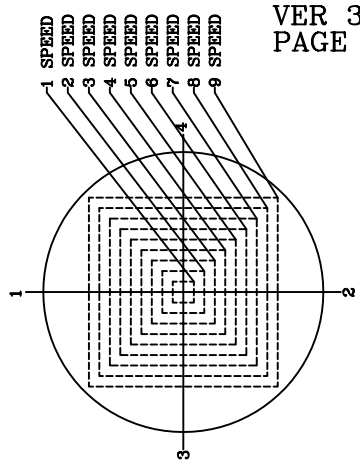
STANDARD CONTACTS

SIZE	# OF CONTACTS	A DIMENSION	B DIMENSION	A1 & B1 DIMENSION
01	2	119	82	27
02	4	131	94	39.5
03	6	144	107	52
04	8	156	119	64.5
05	10	169	132	77
06	12	181	144	89.5



LEFT SIDE

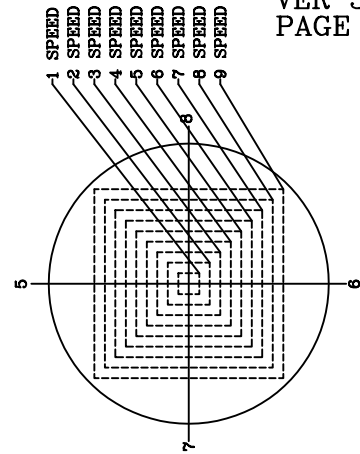
- V6-BASIC MASTER SWITCH
- VV6-BASIC MASTER SWITCH
- X-STANDARD HANDLE
- T-DEAD MAN TO PRESS
- P-DEAD MAN TO PULL
- B-PUSH BUTTON IN HANDLE
- M-MECH. INTERLOCK IN O POSS. SPECIAL HANDLE SEE SECT. 5
- 1-SWITCHING GATE #1
- 2-SWITCHING GATE #2 +
- 3-SWITCHING GATE #3 □
- 4-SPECIAL SWITCHING GATE
- CONTACT ARR. DIR. 1-2
- A-Z-FROM SHEET 20.2.1
- O-SPECIAL CONTACT ARR. X-IF NOT REQUIRED
- Z-SPRING RETURN
- F-BRAKE ADJUSTABLE
- X-IF NOT REQUIRED
- P-POTENTIOMETER SEE SECT. 6
- P-POTENTIOMETER MOUNTING
- X-IF NOT REQUIRED
- CONTACT ARR. DIR. 3-4
- A-Z-FROM SHEET 20.2.1
- O-SPECIAL CONTACT ARR. X-IF NOT REQUIRED
- Z-SPRING RETURN
- F-BRAKE ADJUSTABLE
- X-IF NOT REQUIRED
- P-POTENTIOMETER SEE SECT. 6
- P-POTENTIOMETER MOUNTING
- X-IF NOT REQUIRED
- 1-M-STANDARD NAMEPLATE. SECT. 20.1
- X-IF NOT REQUIRED
- O-SPECIAL NAMEPLATE MARK IN CHART
- G-GENERAL PURPOSE ENCL.
- W-WEATHERPROOF ENCL.
- O-OPEN TYPE SWITCH



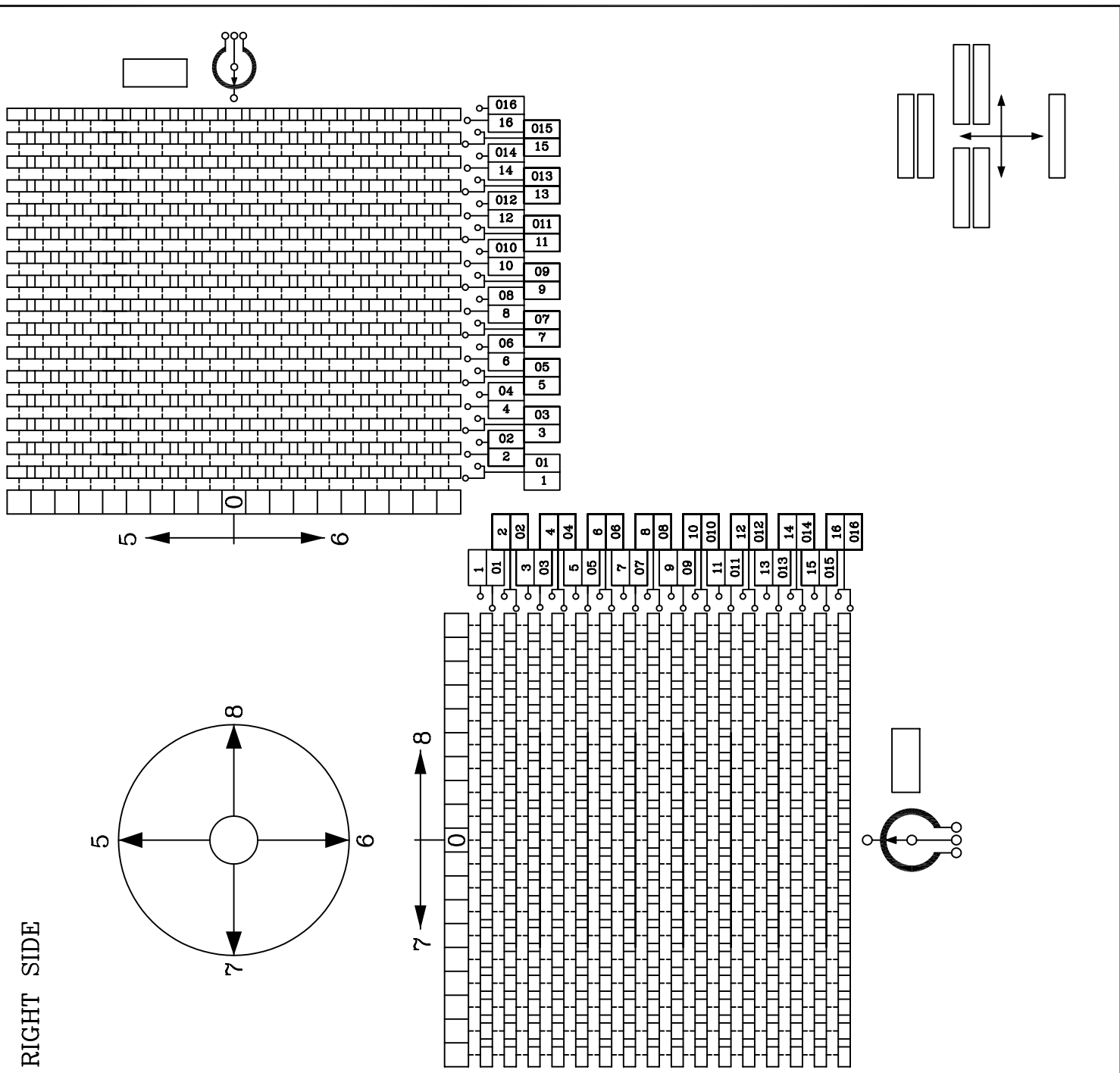
MARK IN SPECIAL SWITCHING GATE ONLY

GESSMANN V6/VV6 MASTER SWITCH		JOB #
DATE:	FROM:	
NAME:		

	V6-BASIC MASTER SWITCH VV6-BASIC MASTER SWITCH
	X-STANDARD HANDLE T-DEAD MAN TO PRESS P-DEAD MAN TO PULL B-PUSH BUTTON IN HANDLE M-MECH. INTERLOCK IN O POSS. SPECIAL HANDLE SEE SECT. 5
	1-SWITCHING GATE #1
	2-SWITCHING GATE #2
	3-SWITCHING GATE #3
	4-SPECIAL SWITCHING GATE
	CONTACT ARR. DIR. 5-8
	A-Z-FROM SHEET 20.2.1
	O-SPECIAL CONTACT ARR.
	X-IF NOT REQUIRED
	Z-SPRING RETURN
	F-BRAKE ADJUSTABLE
	X-IF NOT REQUIRED
	P-POTENTIOMETER SEE SECT. 6
	P-POTENTIOMETER MOUNTING
	X-IF NOT REQUIRED
	CONTACT ARR. DIR. 7-8
	A-Z-FROM SHEET 20.2.1
	O-SPECIAL CONTACT ARR.
	X-IF NOT REQUIRED
	Z-SPRING RETURN
	F-BRAKE ADJUSTABLE
	X-IF NOT REQUIRED
	P-POTENTIOMETER SEE SECT. 6
	P-POTENTIOMETER MOUNTING
	X-IF NOT REQUIRED
	1-M-STANDARD NAMEPLATE. SECT. 20.1
	X-IF NOT REQUIRED
	O-SPECIAL NAMEPLATE MARK IN CHART
	G-GENERAL PURPOSE ENCL.
	W-WEATHERPROOF ENCL.
	O-OPEN TYPE SWITCH

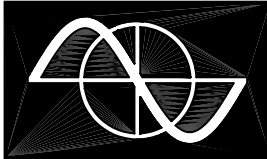


MARK IN SPECIAL SWITCHING GATE ONLY

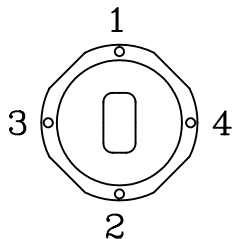


RIGHT SIDE

GESSMANN V6/VV6 MASTER SWITCH		JOB #
DATE:	FROM:	
NAME:		

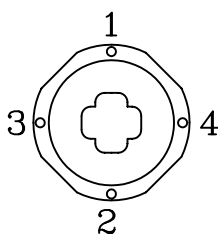


#1



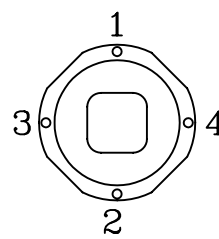
STANDARD	
1-0-1	KBKQ 11
2-0-2	KBKQ 22
3-0-3	KBKQ 33
4-0-4	KBKQ 44
5-0-5	KBKQ 55
6-0-6	KBKQ 66

#2

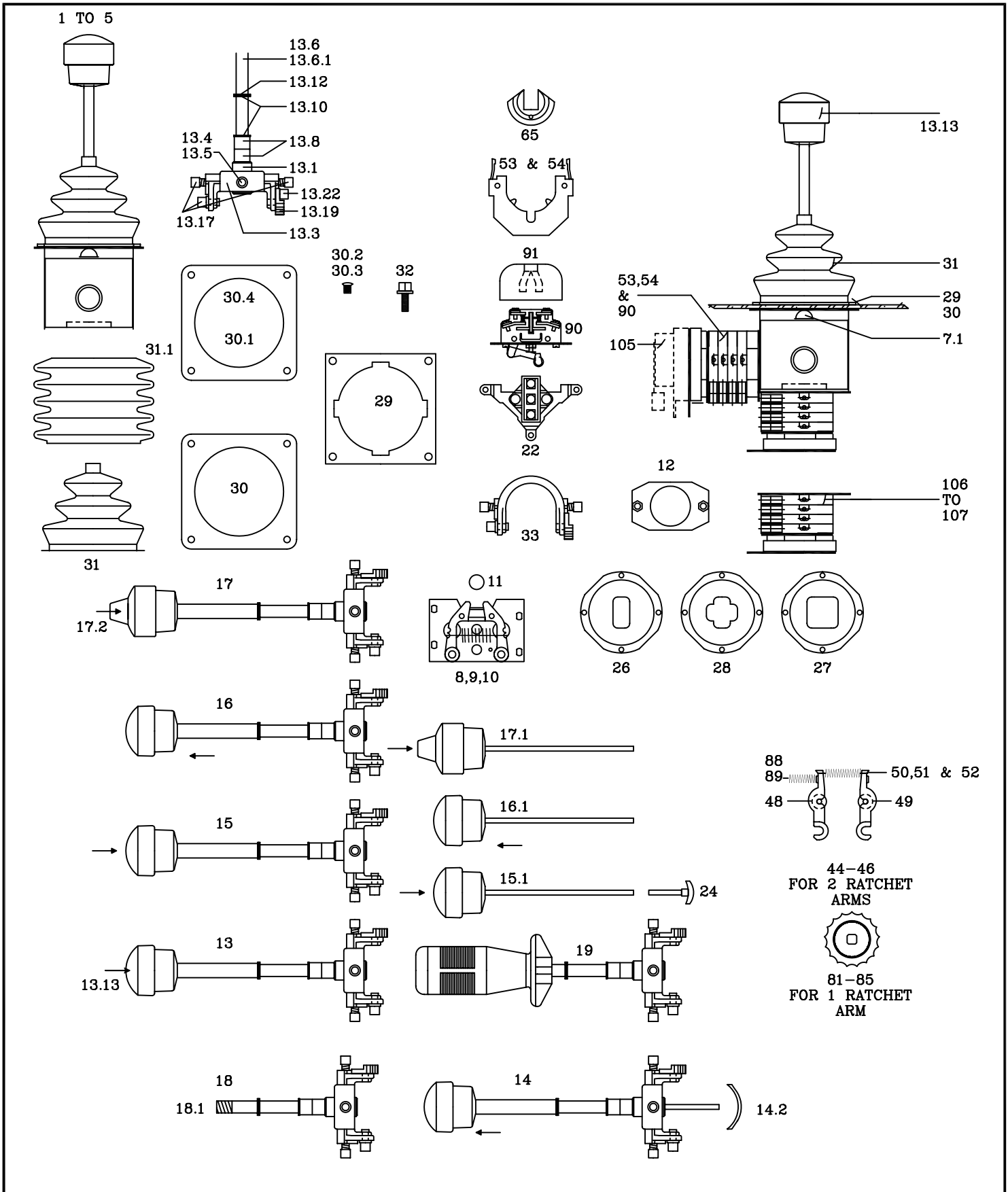


STANDARD	
1-0-1	KBKR 1111
1-0-1	KBKR 1122
1-0-1	KBKR 1133
1-0-1	KBKR 1144
1-0-1	KBKR 1155
1-0-1	KBKR 1166
2-0-2	KBKR 2222
2-0-2	KBKR 2233
2-0-2	KBKR 2244
2-0-2	KBKR 2255
2-0-2	KBKR 2266
3-0-3	KBKR 3333
3-0-3	KBKR 3344
3-0-3	KBKR 3355
3-0-3	KBKR 3366
4-0-4	KBKR 4444
4-0-4	KBKR 4455
4-0-4	KBKR 4466
5-0-5	KBKR 5555
5-0-5	KBKR 5566
6-0-6	KBKR 6666

#3



STANDARD	
1-0-1	KBKQ 1111
1-0-1	KBKQ 1122
1-0-1	KBKQ 1133
1-0-1	KBKQ 1144
1-0-1	KBKQ 1155
1-0-1	KBKQ 1166
2-0-2	KBKQ 2222
2-0-2	KBKQ 2233
2-0-2	KBKQ 2244
2-0-2	KBKQ 2255
2-0-2	KBKQ 2266
3-0-3	KBKQ 3333
3-0-3	KBKQ 3344
3-0-3	KBKQ 3355
3-0-3	KBKQ 3366
4-0-4	KBKQ 4444
4-0-4	KBKQ 4455
4-0-4	KBKQ 4466
5-0-5	KBKQ 5555
5-0-5	KBKQ 5566
6-0-6	KBKQ 6666





PART#	DESCRIPTION	PART#	DESCRIPTION
1	V61 DRIVE ASSEMBLY	18.1	SHAFT ONLY FOR B_ HANDLE
2	V61.1 DRIVE ASSEMBLY	19	STANDARD SHAFT ASSEMBLY FOR B1T
3	V62 DRIVE ASSEMBLY	19.1	B1 PALM HANDLE WITH ROD
4	V64 DRIVE ASSEMBLY	22	DEADMAN MICRO SWITCH ASSEMBLY AC
5	V64.1 DRIVE ASSEMBLY	24	DEADMAN ACTUATOR
7.1	BRASS BUSHING FOR CASTING	26	SWITCHING GATES #1 SEE PAGE 1.7.3
8	RETURN SPRING ASSEMBLY NORMAL	27	SWITCHING GATES #2 SEE PAGE 1.7.3
8.1	RETURN SPRING ASSEMBLY WEAK	28	SWITCHING GATES #3 SEE PAGE 1.7.3
9	RETURN SPRING ASSEMBLY STRONG	29	METAL FLANGE PLATE
10	RETURN SPRING ASSEMBLY EXTRA STRONG	30	PLASTIC FLANGE PLATE
11	RETURN SPRING ROLLER	30.1	METAL FLANGE PLATE FOR B3, B7/B8 & B9 HANDLES
12	FRICTION BRAKE ASSEMBLY	30.2	OVAL HEAD SCREWS M5x15
13	STANDARD SHAFT ASSEMBLY	30.3	OVAL HEAD SCREWS M5x20
13.1	SHAFT CASTING	30.4	RUBBER GASKET FOR METAL FLANGE PLATE
13.2	FLAT WASHER	31	RUBBER BOOT
13.3	SHAFT OPERATOR CASTING	31.1	RUBBER BOOT FOR B3, B7/B8 & B9 HANDLES
13.4	METAL BUSHING	32	PLASTIC HEX MOUNTING SCREWS M5x15
13.5	ROUND STEEL SHAFT	33	SECOND MOTION BRACKET
13.6	STANDARD SHAFT ONLY	44	0 STEP RATCHET (SMOOTH) FOR TWO RATCHET ARMS
13.6.1	SOLID SHAFT ONLY	45	4 STEP RATCHET FOR TWO RATCHET ARMS
13.7	STEEL PIN	46	6 STEP RATCHET FOR TWO RATCHET ARMS
13.8	BRASS BUSHING	48	RATCHET ARM
13.10	RETAINING RING EXTERNAL 10mm	49	RATCHET ARM ROLLER BEARING
13.12	FLAT WASHER M10	50	RATCHET ARM SPRING WEAK FOR TWO RATCHET ARMS
13.13	SOLID KNOB	51	RATCHET ARM SPRING NORMAL FOR TWO RATCHET ARMS
13.17	HEX SOCKET CAP SCREW M6x10	52	RATCHET ARM SPRING STRONG FOR TWO RATCHET ARMS
13.19	LARGE GEAR PLASTIC	53	CONTACT SET 6A 250V AC GRAY
13.20	SPACER	54	CONTACT SET 6A 250V AC YELLOW
13.21	SPRING LOCK WASHER	65	BLANK PLASTIC CAM
13.22	HEX SOCKET CAP SCREW M6x12	81	0 STEP RATCHET (SMOOTH) FOR ONE RATCHET ARM
13.23	FLAT WASHER M6	82	4 STEP RATCHET FOR ONE RATCHET ARM
14.00	STANDARD SHAFT ASSEMBLY FOR MECHANICAL INTERLOCK 'M'	83	6 STEP RATCHET FOR ONE RATCHET ARM
14.1	KNOB AND ROD FOR MECHANICAL INTERLOCK 'M'	84	7 STEP RATCHET FOR ONE RATCHET ARM
14.2	BRACKET FOR MECHANICAL INTERLOCK 'M'	85	9 STEP RATCHET FOR ONE RATCHET ARM
15	STANDARD SHAFT ASSEMBLY FOR PUSH DEAD MAN 'T'	88	RATCHET ARM SPRING NORMAL FOR ONE RATCHET ARM
15.1	KNOB AND ROD FOR PUSH DEAD MAN 'T'	89	RATCHET ARM SPRING STRONG FOR ONE RATCHET ARM
16	STANDARD SHAFT ASSEMBLY FOR PULL DEAD MAN 'P'	90	DC CONTACT S800a
16.1	KNOB AND ROD FOR PULL DEAD MAN 'P'	91	BLOW OUT CAP
17	STANDARD SHAFT ASSEMBLY FOR PUSH BUTTON DEAD MAN 'B'	105	POTENTIOMETER SEE SECTION 6
17.1	KNOB AND ROD FOR PUSH BUTTON DEAD MAN 'B'	106	SWITCH CONTACT ASSEMBLY AC
17.2	RUBBER CAP FOR PUSH BUTTON DEAD MAN	107	SWITCH CONTACT ASSEMBLY DC
18	STANDARD SHAFT ASSEMBLY FOR B_ HANDLE		