



CUSTOMER: _____ **DATE:** _____

CONTACT: _____ **PHONE:** _____ **FAX:** _____

1) APPLICATION

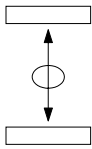
- INDOOR OUTDOOR MARINE ENVIRONMENT MOBILE EQUIPMENT OVERHEAD CRANE/HOISTING CRANE CHAIR
- PORTABLE EQUIPMENT FOOT PEDAL OTHER _____

2) CONTROLLER SIZE & DURABILITY

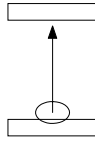
- MINIATURE: V10 H100 H7 V14 V20 S14 MEDIUM: V11 V8 D8
- SMALL: V5 VV5 S2 S21 S22 S23 S24 N6 LARGE: V3 V6 VV6 D64 DD64 K2

3) CONTROLLER FUNCTIONS

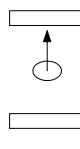
SINGLE AXIS (PICK 1 OF 3 ITEMS BELOW)



STANDARD BI-DIRECTIONAL

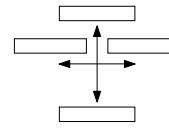


FULL TRAVEL UNI-DIRECTIONAL

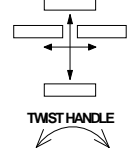


CENTER TO END UNI-DIRECTIONAL

DUAL AXIS



MULTI AXIS



4) SWITCH SPECIFICATIONS

LEFT HAND MOUNTING

RIGHT HAND MOUNTING

- | | |
|--|--|
| VOLTAGE _____ AC/DC CURRENT _____ AMPS.
DIRECTION 1&2 DIRECTION 3&4
NUMBER OF CONTACTS _____ NUMBER OF CONTACTS _____
STEPLESS OR STEPS _____ STEPLESS OR STEPS _____
<input type="checkbox"/> SPRING RETURN <input type="checkbox"/> SPRING RETURN
<input type="checkbox"/> FRICTION BRAKE <input type="checkbox"/> FRICTION BRAKE
<input type="checkbox"/> POTENTIOMETER _____ <input type="checkbox"/> POTENTIOMETER _____
<input type="checkbox"/> ELECTRONICS <input type="checkbox"/> ELECTRONICS | VOLTAGE _____ AC/DC CURRENT _____ AMPS.
DIRECTION 5&6 DIRECTION 7&8
NUMBER OF CONTACTS _____ NUMBER OF CONTACTS _____
STEPLESS OR STEPS _____ STEPLESS OR STEPS _____
<input type="checkbox"/> SPRING RETURN <input type="checkbox"/> SPRING RETURN
<input type="checkbox"/> FRICTION BRAKE <input type="checkbox"/> FRICTION BRAKE
<input type="checkbox"/> POTENTIOMETER _____ <input type="checkbox"/> POTENTIOMETER _____
<input type="checkbox"/> ELECTRONICS <input type="checkbox"/> ELECTRONICS |
|--|--|

5) ELECTRONICS

A) VALVE SPECIFICATIONS

VALVE MANUFACTURE _____ MODEL NUMBER _____

SUPPLY VOLTS: _____ VDC COIL RESISTANCE: _____ OHMS THRESHOLD: _____ mA MAX. OUTPUT _____ mA

SINGLE COIL DUAL COIL FLOW CONTROL SWITCHES FOR DIRECTIONAL VALVES PWM FREQUENCY: _____ Hz

B) SIGNAL OUTPUTS

SUPPLY VOLTS: _____ VDC 4-20mA 0-20mA 0-10V -10V to +10V OTHER _____

C) OPTIONS FOR BOTH

SINGLE MAX. (A ADJ.) DUAL MAX. (A & B ADJ.) DUAL RANGE _____ mA RAMP TIME _____ SEC.

6) HANDLE TYPE

- STANDARD KNOB MECHANICAL INTERLOCK PUSHBUTTON DEADMAN PUSH DEADMAN PULL DEADMAN
- PALM HANDLE _____

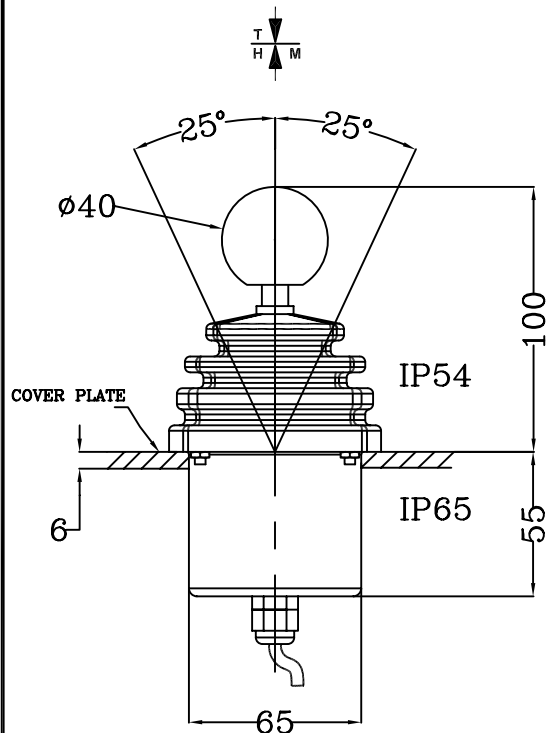
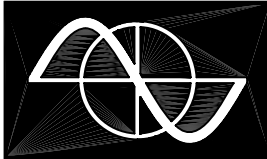
7) NAMEPLATE SPECIFICATIONS

- STANDARD NAMEPLATE _____ SPECIAL NAMEPLATE (ATTACH LAYOUT DRAWING OR SPECIFICATIONS)

8) ENCLOSURE

- GENERAL PURPOSE WEATHERPROOF CORROSIVE RESISTANT (PLASTIC) PORTABLE CONSOLES
- ENCLOSURE DIMENSIONS L= _____ W= _____ H= _____ TS1 TS2

9) NOTES

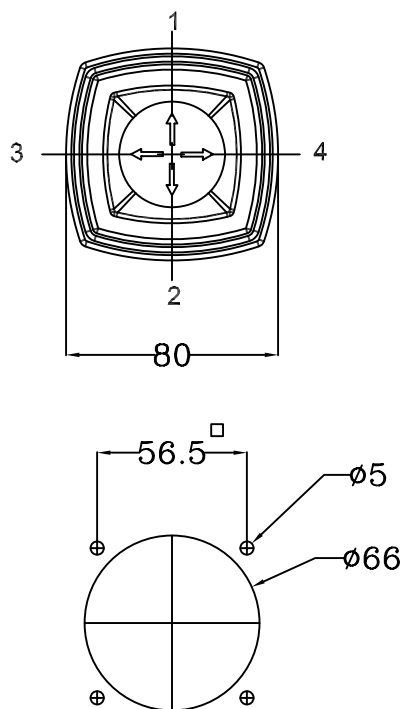


THE V25 MASTER SWITCH IS RUGGED, COMPACT AND IT'S MODULAR DESIGN IS SUITABLE FOR ALMOST ANY APPLICATION. IT IS BUILT FOR 8 MILLION OPERATIONS. IT IS OIL, OZONE, UV AND SALT ATMOSPHERE (OCEAN CONDITION) RESISTANT.

HALL EFFECT SENSOR, VOLTAGE OR CURRENT OUTPUT, 12 VDC OR 24 VDC SYSTEMS CONTACTS ARE RATED AT 0.5A 110V AC15 RES.

1.5A 24V DC13.

DEGREE OF PROTECTION FRONT: IP54



PANEL CUT OUT

