



**CUSTOMER:** \_\_\_\_\_ **DATE:** \_\_\_\_\_

**CONTACT:** \_\_\_\_\_ **PHONE:** \_\_\_\_\_ **FAX:** \_\_\_\_\_

### 1) APPLICATION

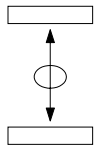
- INDOOR    OUTDOOR    MARINE ENVIRONMENT    MOBILE EQUIPMENT    OVERHEAD CRANE/HOISTING    CRANE CHAIR
- PORTABLE EQUIPMENT    FOOT PEDAL    OTHER \_\_\_\_\_

### 2) CONTROLLER SIZE & DURABILITY

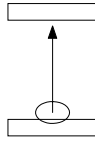
- MINIATURE: V10 H100 H7 V14 V20 S14    MEDIUM: V11 V8 D8
- SMALL: V5 VV5 S2 S21 S22 S23 S24 N6    LARGE: V3 V6 VV6 D64 DD64 K2

### 3) CONTROLLER FUNCTIONS

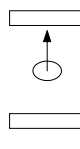
SINGLE AXIS (PICK 1 OF 3 ITEMS BELOW)



STANDARD BI-DIRECTIONAL

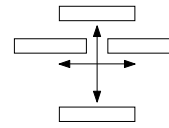


FULL TRAVEL UNI-DIRECTIONAL

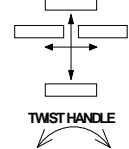


CENTER TO END UNI-DIRECTIONAL

DUAL AXIS



MULTI AXIS



TWIST HANDLE

### 4) SWITCH SPECIFICATIONS

LEFT HAND MOUNTING

- VOLTAGE \_\_\_\_\_ AC/DC    CURRENT \_\_\_\_\_ AMPS.  
 DIRECTION 1&2    DIRECTION 3&4  
 NUMBER OF CONTACTS \_\_\_\_\_    NUMBER OF CONTACTS \_\_\_\_\_  
 STEPLESS OR STEPS \_\_\_\_\_    STEPLESS OR STEPS \_\_\_\_\_
- SPRING RETURN    SPRING RETURN
  - FRICTION BRAKE    FRICTION BRAKE
  - POTENTIOMETER \_\_\_\_\_    POTENTIOMETER \_\_\_\_\_
  - ELECTRONICS    ELECTRONICS

RIGHT HAND MOUNTING

- VOLTAGE \_\_\_\_\_ AC/DC    CURRENT \_\_\_\_\_ AMPS.  
 DIRECTION 5&6    DIRECTION 7&8  
 NUMBER OF CONTACTS \_\_\_\_\_    NUMBER OF CONTACTS \_\_\_\_\_  
 STEPLESS OR STEPS \_\_\_\_\_    STEPLESS OR STEPS \_\_\_\_\_
- SPRING RETURN    SPRING RETURN
  - FRICTION BRAKE    FRICTION BRAKE
  - POTENTIOMETER \_\_\_\_\_    POTENTIOMETER \_\_\_\_\_
  - ELECTRONICS    ELECTRONICS

### 5) ELECTRONICS

#### A) VALVE SPECIFICATIONS

VALVE MANUFACTURE \_\_\_\_\_ MODEL NUMBER \_\_\_\_\_

SUPPLY VOLTS: \_\_\_\_\_ VDC    COIL RESISTANCE: \_\_\_\_\_ OHMS    THRESHOLD: \_\_\_\_\_ mA    MAX. OUTPUT \_\_\_\_\_ mA

- SINGLE COIL    DUAL COIL    FLOW CONTROL    SWITCHES FOR DIRECTIONAL VALVES   PWM FREQUENCY: \_\_\_\_\_ Hz

#### B) SIGNAL OUTPUTS

SUPPLY VOLTS: \_\_\_\_\_ VDC     4-20mA    0-20mA    0-10V    -10V to +10V    OTHER \_\_\_\_\_

#### C) OPTIONS FOR BOTH

- SINGLE MAX. (A ADJ.)    DUAL MAX. (A & B ADJ.)    DUAL RANGE \_\_\_\_\_ mA    RAMP TIME \_\_\_\_\_ SEC.

### 6) HANDLE TYPE

- STANDARD KNOB    MECHANICAL INTERLOCK    PUSHBUTTON DEADMAN    PUSH DEADMAN    PULL DEADMAN
- PALM HANDLE \_\_\_\_\_

### 7) NAMEPLATE SPECIFICATIONS

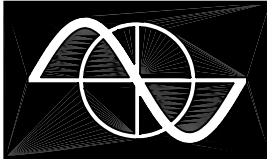
- STANDARD NAMEPLATE \_\_\_\_\_    SPECIAL NAMEPLATE (ATTACH LAYOUT DRAWING OR SPECIFICATIONS)

### 8) ENCLOSURE

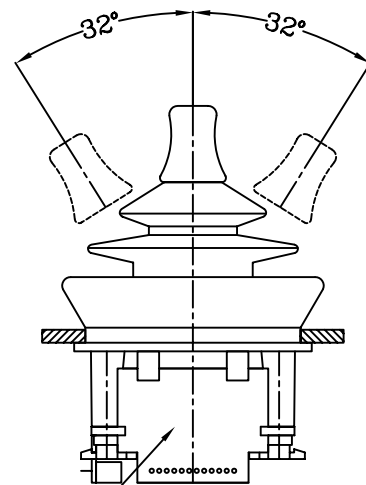
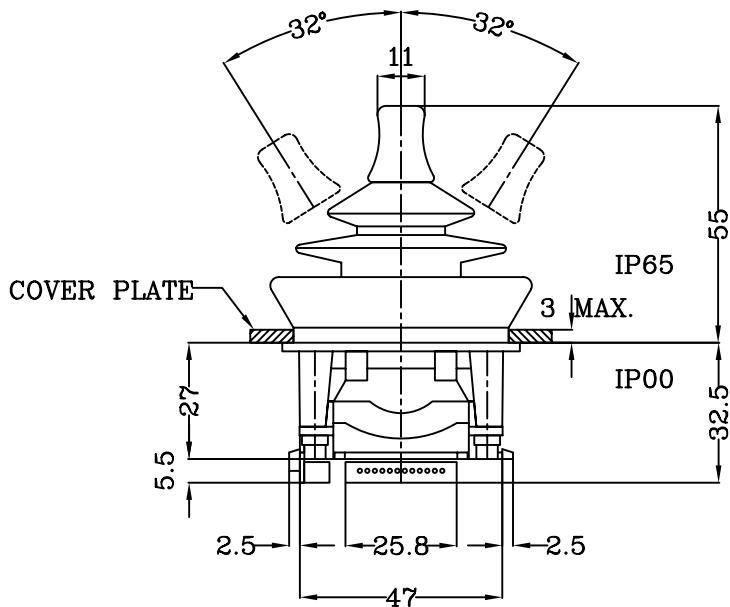
- GENERAL PURPOSE    WEATHERPROOF    CORROSIVE RESISTANT (PLASTIC)    PORTABLE CONSOLES
- ENCLOSURE DIMENSIONS L= \_\_\_\_\_ W= \_\_\_\_\_ H= \_\_\_\_\_    TS1    TS2

### 9) NOTES

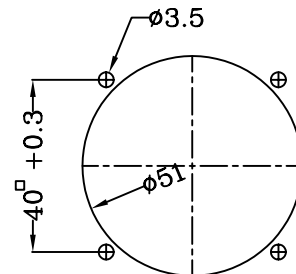
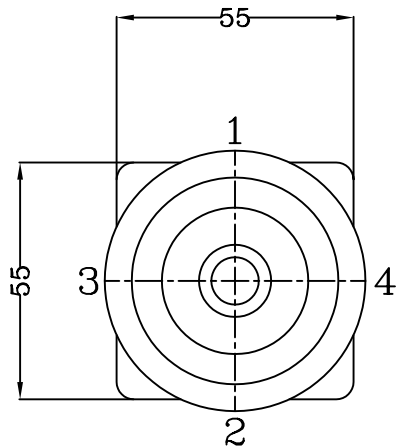
\_\_\_\_\_  
\_\_\_\_\_  
\_\_\_\_\_



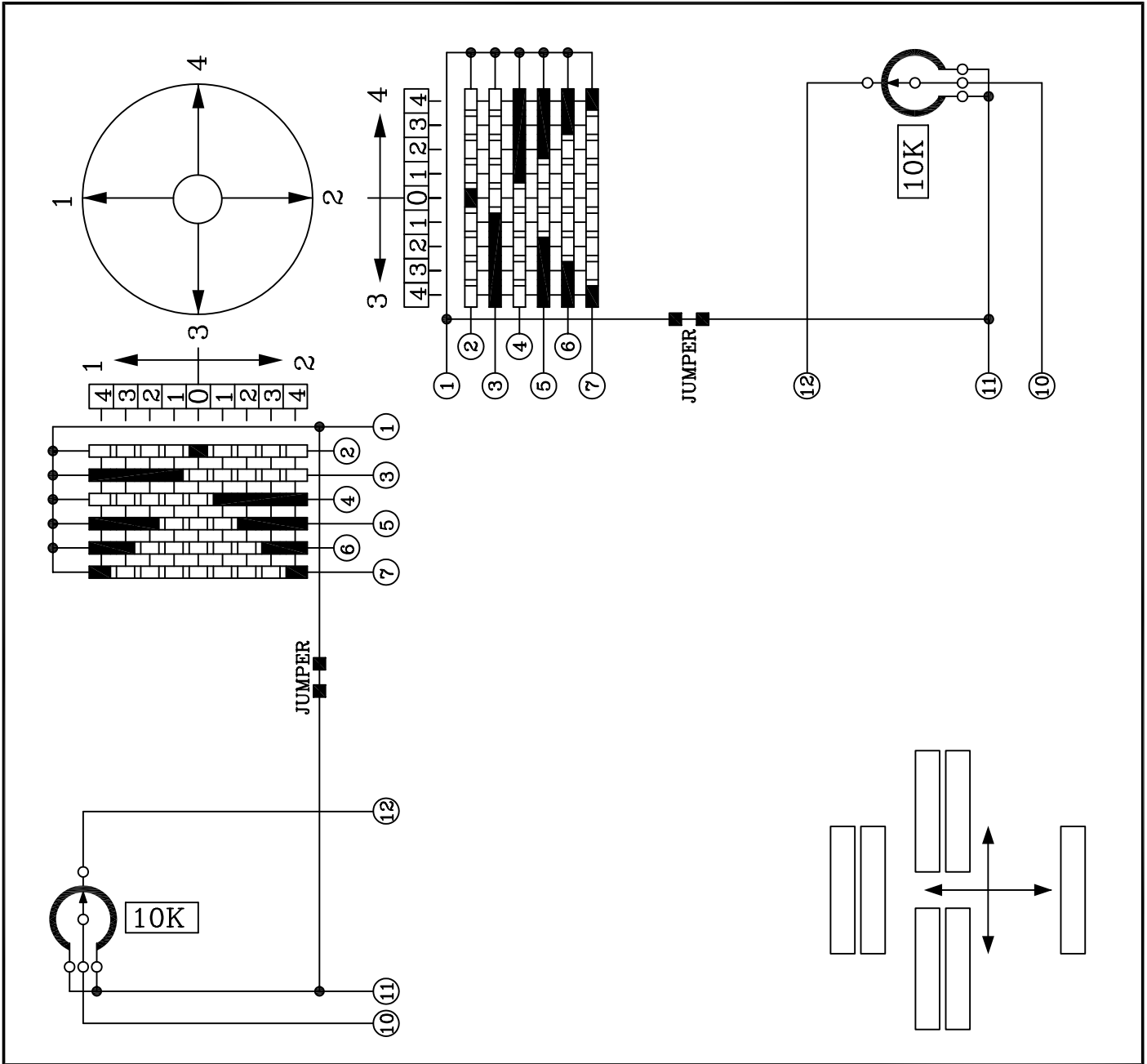
THE V20 IS A MINIATURE, LIGHT DUTY MASTER SWITCH DESIGNED FOR RADIO AND PORTABLE CONTROLS. IT IS SMALL, LIGHTWEIGHT AND SOLID IN DESIGN. IT IS BUILT FOR 3 MILLION OPERATIONS. IT IS OIL, OZONE, UV AND SALT ATMOSPHERE (OCEAN CONDITION) RESISTANT. DEGREE OF PROTECTION FRONT: IP65



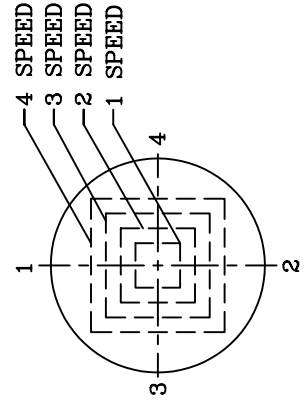
PRINTED CIRCUIT BOARD  
WITH SOLDER OR PLUG  
TERMINALS.



PANEL CUT OUT

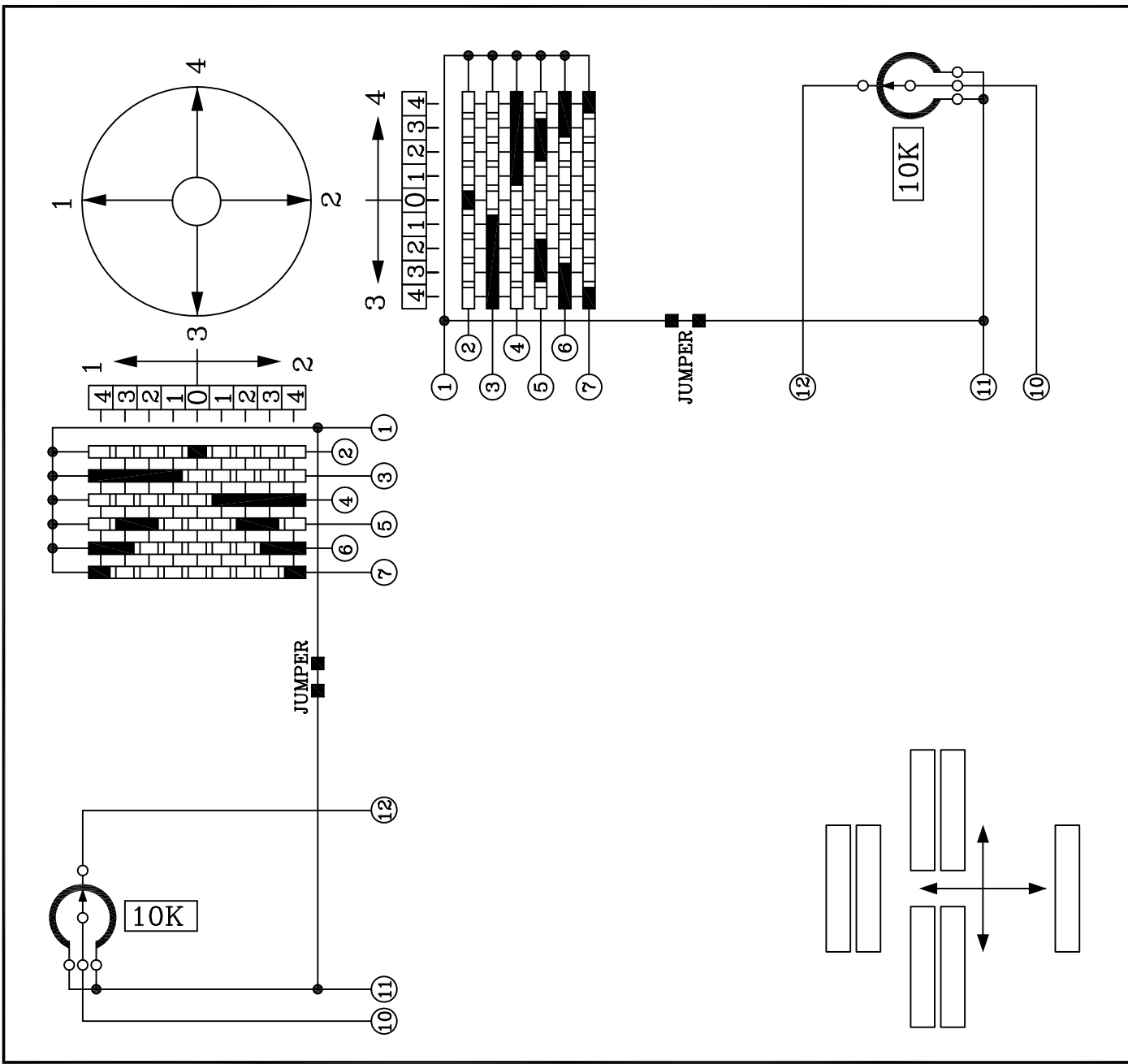


V20	V20 BASIC MASTER SWITCH
3	1-SWITCHING GATE #1   2-SWITCHING GATE #2   + 3-SWITCHING GATE #3   □ 4-SPECIAL SWITCHING GATE
MEC2-1	CONTACT ARR. DIR 1-2 2-1-MEC 2-1 2-2-MEC 2-2
MEC2-1	CONTACT ARR. DIR 3-4 2-1-MEC 2-1 2-2-MEC 2-2
X	1-M-STANDARD NAMEPLATE SHEET X-IF NOT REQUIRED SHEET 12.1 & O-SPECIAL NAMEPLATE 12.2 MARK IN CHART
0	G-GENERAL PURPOSE ENCL. W-WEATHERPROOF ENCL. O-OPEN TYPE SWITCH

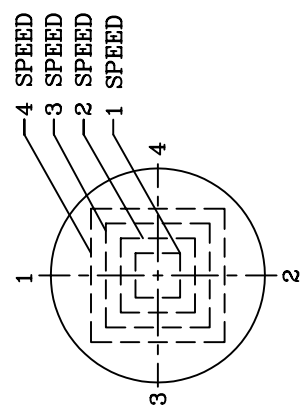


MARK IN SPECIAL SWITCHING GATE ONLY

GESSMANN V20 MASTER SWITCH		JOB #
DATE:	FROM:	
NAME:		

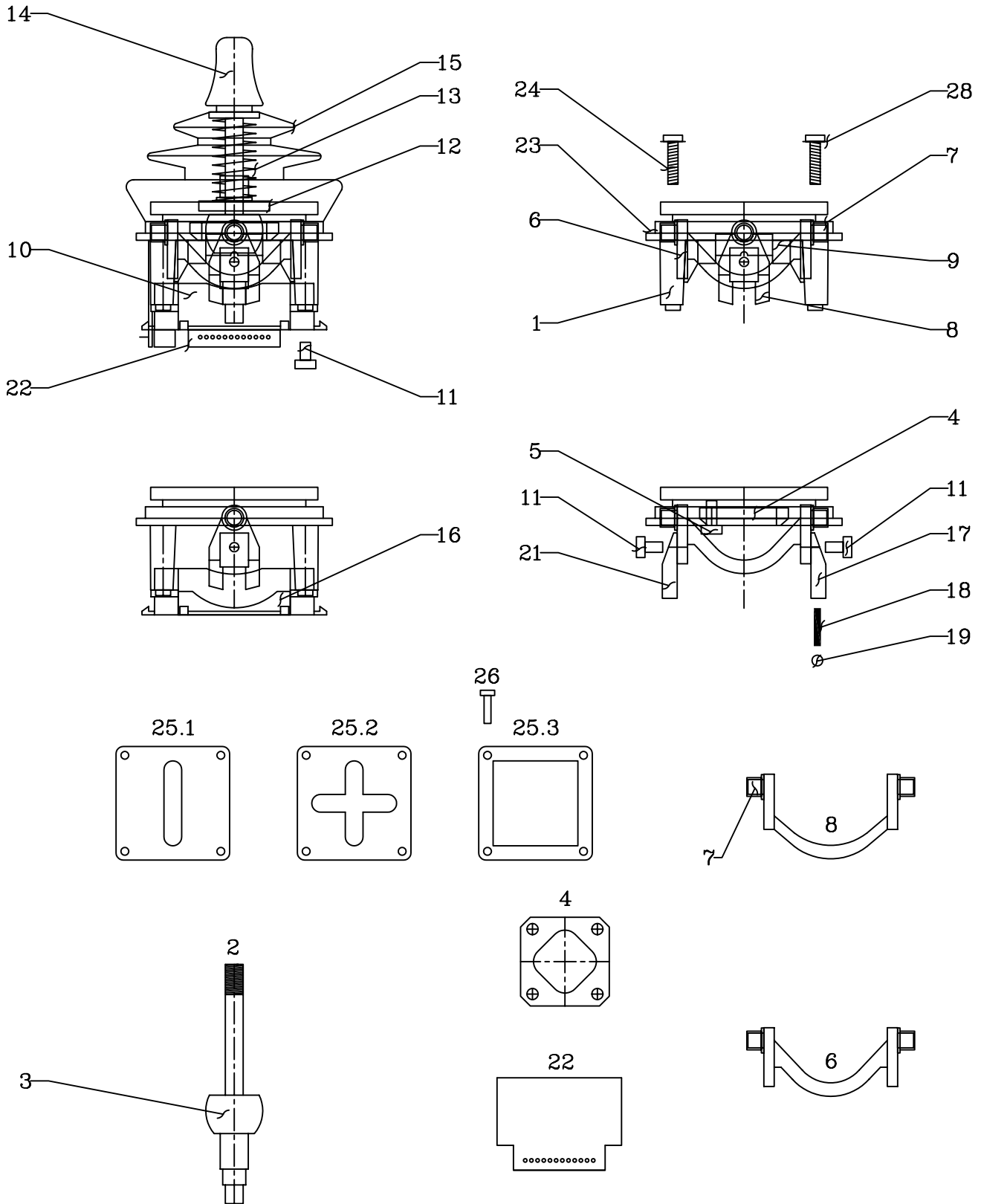
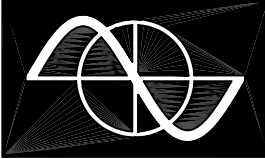


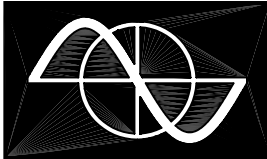
V20	V20 BASIC MASTER SWITCH
3	1-SWITCHING GATE #1
	2-SWITCHING GATE #2 +
	3-SWITCHING GATE #3 □
	4-SPECIAL SWITCHING GATE
MEC2-2	CONTACT ARR. DIR 1-2
	2-1-MEC 2-1
	2-2-MEC 2-2
MEC2-2	CONTACT ARR. DIR 3-4
	2-1-MEC 2-1
	2-2-MEC 2-2
X	1-M-STANDARD NAMEPLATE SHEET
	X-IF NOT REQUIRED SHEET 12.1 &
	O-SPECIAL NAMEPLATE MARK IN CHART 12.2
0	G-GENERAL PURPOSE ENCL.
	W-WEATHERPROOF ENCL.
	O-OPEN TYPE SWITCH



MARK IN SPECIAL SWITCHING GATE ONLY

DATE:		FROM:	
NAME:			
GESSMANN V20 MASTER SWITCH		JOB #	





<b><u>PART#</u></b>	<b><u>DESCRIPTION</u></b>
1	CASTING
2	STANDARD SHAFT ASSEMBLY WITH BEARING
3	BEARING
4	BEARING CONTAINER
5	DUO TOP-TITE SCREW M3x7
6	1st MOTION BRACKET DIRECTION 1-2
7	PLASTIC BUSHING
8	2nd MOTION BRACKET DIRECTION 3-4
9	1st & 2nd MOTION BRACKET HOLDER
10	SWITCHING GATE HOUSING
11	DUO TOP-TITE SCREW M3x5
12	PLASTIC BUSHING FOR RETURN SPRING
13	RETURN SPRING
14	KNOB
15	RUBBER BOOT
16	4 STEP RATCHET
17	RATCHET ARM
18	RATCHET ARM SPRING
19	RATCHET BALL
21	WIPER
22.1	ENCODER MEC 2-1 c/w MALE CONNECTOR & 0.5m OF WIRE
22.2	ENCODER MEC 2-2 c/w MALE CONNECTOR & 0.5m OF WIRE
23	RUBBER GASKET
24	CHEESE HEAD SCREW M3x12
25.1	SWITCHING GATES #1 SEE PAGE 1.13.3
25.2	SWITCHING GATES #2 SEE PAGE 1.13.2
25.3	SWITCHING GATES #3 SEE PAGE 1.13.2
26	EJOT-PT SCREW
28	M3 FLAT WASHER NYLON