



CUSTOMER: _____ **DATE:** _____

CONTACT: _____ **PHONE:** _____ **FAX:** _____

1) APPLICATION

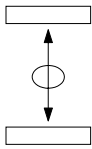
- INDOOR OUTDOOR MARINE ENVIRONMENT MOBILE EQUIPMENT OVERHEAD CRANE/HOISTING CRANE CHAIR
- PORTABLE EQUIPMENT FOOT PEDAL OTHER _____

2) CONTROLLER SIZE & DURABILITY

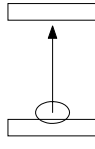
- MINIATURE: V10 H100 H7 V14 V20 S14 MEDIUM: V11 V8 D8
- SMALL: V5 VV5 S2 S21 S22 S23 S24 N6 LARGE: V3 V6 VV6 D64 DD64 K2

3) CONTROLLER FUNCTIONS

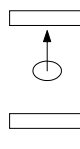
SINGLE AXIS (PICK 1 OF 3 ITEMS BELOW)



STANDARD BI-DIRECTIONAL

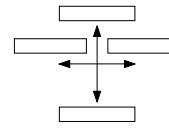


FULL TRAVEL UNI-DIRECTIONAL

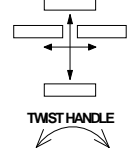


CENTER TO END UNI-DIRECTIONAL

DUAL AXIS



MULTI AXIS



TWIST HANDLE

4) SWITCH SPECIFICATIONS

LEFT HAND MOUNTING

- VOLTAGE _____ AC/DC CURRENT _____ AMPS.
 DIRECTION 1&2 DIRECTION 3&4
 NUMBER OF CONTACTS _____ NUMBER OF CONTACTS _____
 STEPLESS OR STEPS _____ STEPLESS OR STEPS _____
- SPRING RETURN SPRING RETURN
 - FRICTION BRAKE FRICTION BRAKE
 - POTENTIOMETER _____ POTENTIOMETER _____
 - ELECTRONICS ELECTRONICS

RIGHT HAND MOUNTING

- VOLTAGE _____ AC/DC CURRENT _____ AMPS.
 DIRECTION 5&6 DIRECTION 7&8
 NUMBER OF CONTACTS _____ NUMBER OF CONTACTS _____
 STEPLESS OR STEPS _____ STEPLESS OR STEPS _____
- SPRING RETURN SPRING RETURN
 - FRICTION BRAKE FRICTION BRAKE
 - POTENTIOMETER _____ POTENTIOMETER _____
 - ELECTRONICS ELECTRONICS

5) ELECTRONICS

A) VALVE SPECIFICATIONS

VALVE MANUFACTURE _____ MODEL NUMBER _____

SUPPLY VOLTS: _____ VDC COIL RESISTANCE: _____ OHMS THRESHOLD: _____ mA MAX. OUTPUT _____ mA

SINGLE COIL DUAL COIL FLOW CONTROL SWITCHES FOR DIRECTIONAL VALVES PWM FREQUENCY: _____ Hz

B) SIGNAL OUTPUTS

SUPPLY VOLTS: _____ VDC 4-20mA 0-20mA 0-10V -10V to +10V OTHER _____

C) OPTIONS FOR BOTH

SINGLE MAX. (A ADJ.) DUAL MAX. (A & B ADJ.) DUAL RANGE _____ mA RAMP TIME _____ SEC.

6) HANDLE TYPE

STANDARD KNOB MECHANICAL INTERLOCK PUSHBUTTON DEADMAN PUSH DEADMAN PULL DEADMAN

PALM HANDLE _____

7) NAMEPLATE SPECIFICATIONS

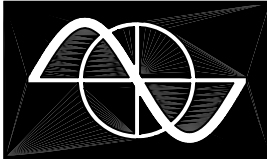
STANDARD NAMEPLATE _____ SPECIAL NAMEPLATE (ATTACH LAYOUT DRAWING OR SPECIFICATIONS)

8) ENCLOSURE

GENERAL PURPOSE WEATHERPROOF CORROSIVE RESISTANT (PLASTIC) PORTABLE CONSOLES

ENCLOSURE DIMENSIONS L= _____ W= _____ H= _____ TS1 TS2

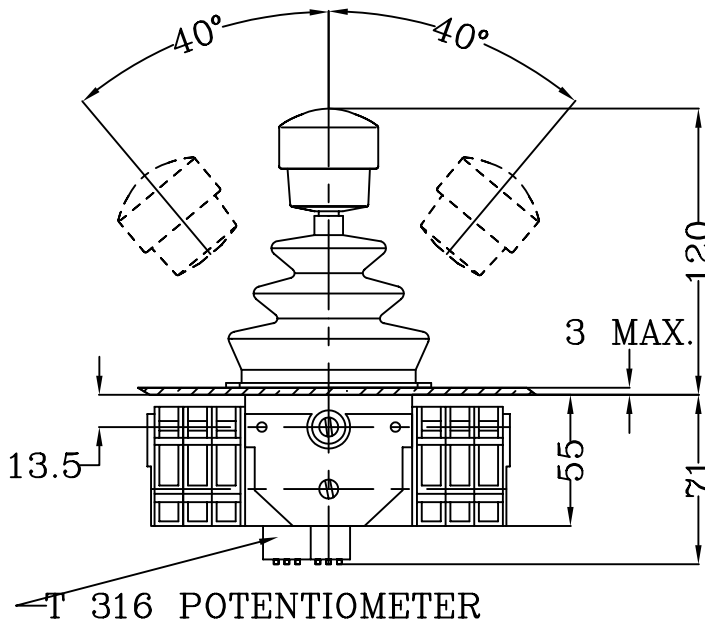
9) NOTES



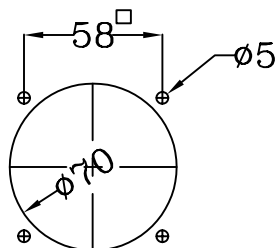
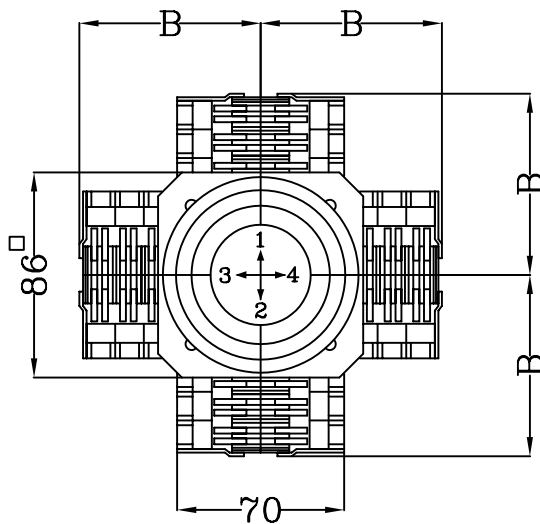
**SENETT
CONTROL
CO. LTD.**

V11 MULTI AXIS MASTER SWITCH

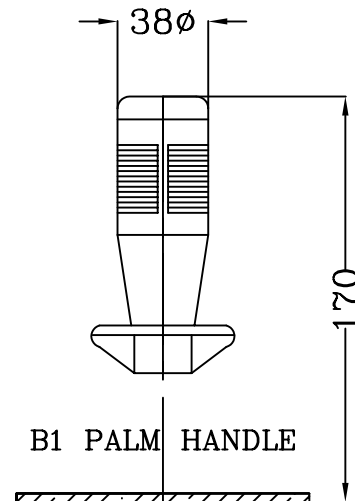
**VER.3
1.6.1**



THE V11 MASTER SWITCH IS RUGGED, COMPACT AND IT'S MODULAR DESIGN IS SUITABLE FOR ALMOST ANY APPLICATION. IT IS BUILT FOR 10 MILLION OPERATIONS. IT IS OIL, OZONE, UV AND SALT ATMOSPHERE (OCEAN CONDITION) RESISTANT. CONTACTS RATED AT 2A 250V AC15 RES. 1A 24V DC13 (GREY STANDARD) OR 4A 250V AC15 (YELLOW SPECIAL) DEGREE OF PROTECTION FRONT: IP54 V11 SWITCHES ARE IEC 9475-1, VDE 0660-200, CSA APPROVED. FILE# 154946

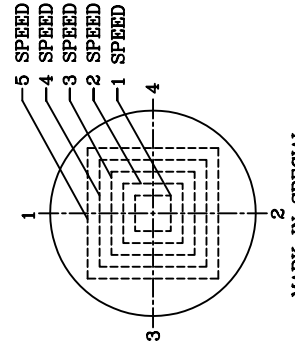


PANEL CUT OUT

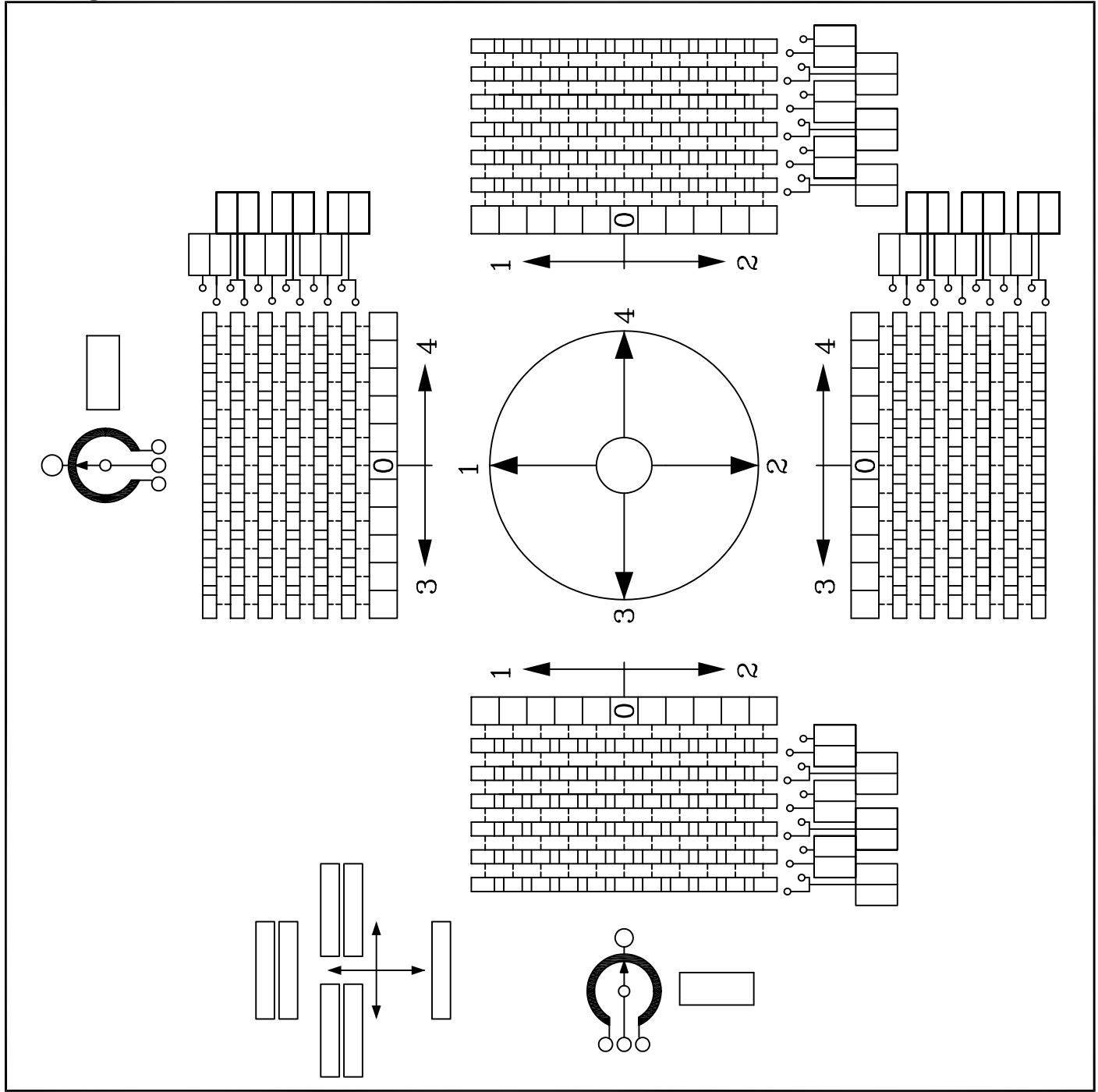


SIZE	# OF CONTACTS	B DIMENSION
01	2	51
02	4	64
03	6	76

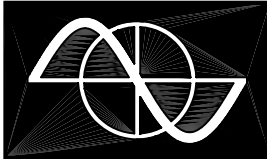
	V11-BASIC MASTER SWITCH
	X-STANDARD HANDLE
	T-DEAD MAN TO PRESS
	P-DEAD MAN TO PULL
	B-PUSH BUTTON IN HANDLE
	M-MECH. INTERLOCK IN O POSS. SPECIAL HANDLE SEE SECT. 5
	1-SWITCHING GATE #1 I
	2-SWITCHING GATE #2 +
	3-SWITCHING GATE #3 □
	4-SPECIAL SWITCHING GATE
	CONTACT ARR. DIR. 1-2
	A-Z-FROM SHEET 20.2.1
	O-SPECIAL CONTACT ARR.
	X-IF NOT REQUIRED
	Z-SPRING RETURN
	r-BRAKE ADJUSTABLE
	X-IF NOT REQUIRED
	P-POTENTIOMETER SEE SECT. 6
	p-potentiometer MOUNTING
	X-IF NOT REQUIRED
	CONTACT ARR. DIR. 3-4
	A-Z-FROM SHEET 20.2.1
	O-SPECIAL CONTACT ARR.
	X-IF NOT REQUIRED
	Z-SPRING RETURN
	r-BRAKE ADJUSTABLE
	X-IF NOT REQUIRED
	P-POTENTIOMETER SEE SECT. 6
	p-potentiometer MOUNTING
	X-IF NOT REQUIRED
	1-M-STANDARD NAMEPLATE. SECT. 20.1
	X-IF NOT REQUIRED
	O-SPECIAL NAMEPLATE MARK IN CHART
	G-GENERAL PURPOSE ENCL.
	W-WEATHERPROOF ENCL.
	O-OPEN TYPE SWITCH



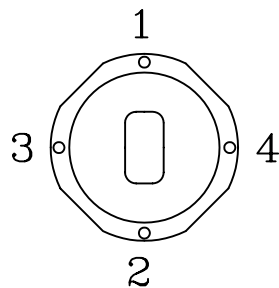
MARK IN SPECIAL SWITCHING GATE ONLY



GESSMANN V11 MASTER SWITCH		JOB #
DATE:	FROM:	
NAME:		

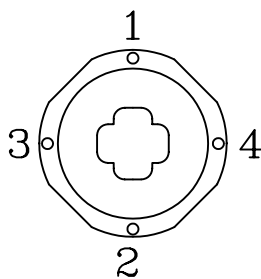


#1



DIR.	STEPS
1	0-5 KBKW 9
2	0-4 KBKW 9
3	0-1 KBKW 9
4	0-1 KBKW 9

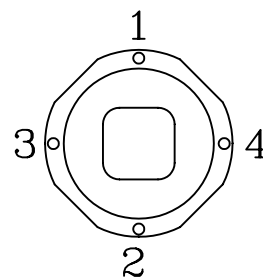
#2



STEPS	
1-0-1	KBKW 3
2-0-2	KBKW 3
3-0-3	KBKW 3
4-0-4	KBKW 3

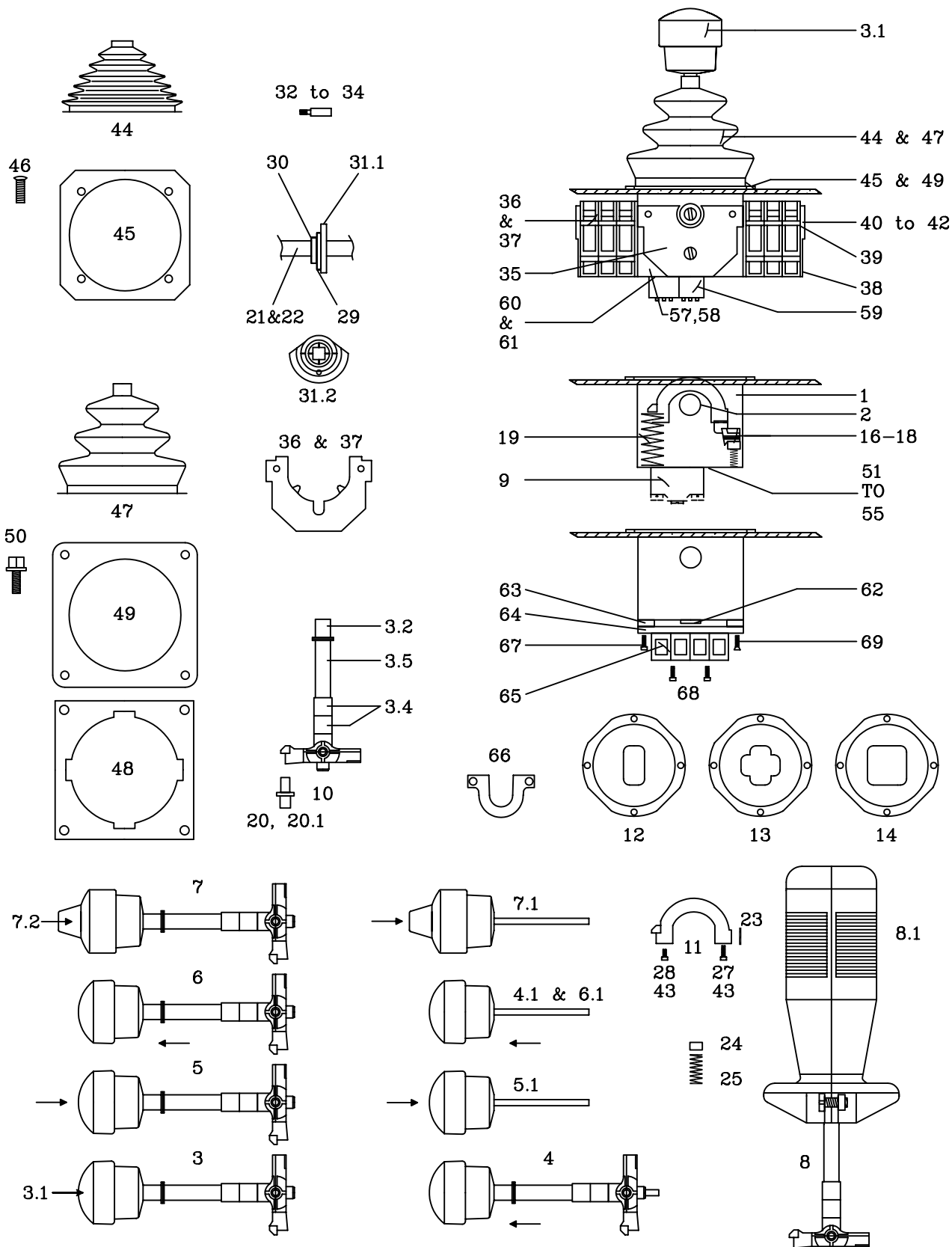
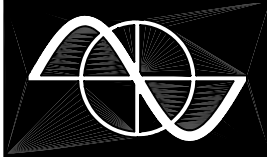
STEPS	
1-0-1	KBKW 6
2-0-2	KBKW 6
3-0-3	KBKW 6
4-0-4	KBKW 6
5-0-5	KBKW 6

#3



STEPS	
1-0-1	KBKW 1a
2-0-2	KBKW 1a
3-0-3	KBKW 1a
4-0-4	KBKW 1a

STEPS	
1-0-1	KBKW 5
2-0-2	KBKW 5
3-0-3	KBKW 5
4-0-4	KBKW 5
5-0-5	KBKW 5





PART#	DESCRIPTION	PART#	DESCRIPTION
1	CASTING	32	STANDOFF 15mm 01
2	METAL BUSHING	33	STANDOFF 27mm 02
3	STANDARD SHAFT ASSEMBLY	34	STANDOFF 39mm 03
3.1	SOLID KNOB	35	STARTER PLATE
3.2	STANDARD SHAFT ONLY STAINLESS STEEL	36	CONTACT SET 6A 250V AC GRAY
3.4	BRASS BUSHING	37	CONTACT SET 6A 250V AC YELLOW
3.5	STEEL SLEEVE	38	END PLATE
4	STANDARD SHAFT ASSEMBLY FOR MECHANICAL INTERLOCK 'M'	39	METAL WASHER
4.1	KNOB AND ROD FOR MECHANICAL INTERLOCK 'M'	40	COUNTERSINCK FLAT WASHER
5	STANDARD SHAFT ASSEMBLY FOR PUSH DEAD MAN 'T'	41	EXTERNAL TOOTH LOCK WASHER M4
5.1	KNOB AND ROD FOR PUSH DEAD MAN 'T'	42	FLAT HEAD SCREW M4x8
6	STANDARD SHAFT ASSEMBLY FOR PULL DEAD MAN 'P'	43	INTERNAL TOOTH LOCK WASHER M4
6.1	KNOB AND ROD FOR PULL DEAD MAN 'P'	44	RUBBER BOOT FOR SMALL FLANGE
7	STANDARD SHAFT ASSEMBLY FOR PUSH BUTTON DEAD MAN 'B'	45	PLASTIC FLANGE PLATE SMALL
7.1	KNOB AND ROD FOR PUSH BUTTON DEAD MAN 'B'	46	OVAL HEAD SCREWS M4x18
7.2	RUBBER CAP FOR PUSH BUTTON DEAD MAN	47	RUBBER BOOT FOR LARGE FLANGE
8	STANDARD SHAFT ASSEMBLY FOR B1T	48	METAL FLANGE PLATE
8.1	B1T PALM HANDLE WITH ROD	49	PLASTIC FLANGE PLATE LARGE
9	DEAD MAN MICRO SWITCH ASSEMBLY WITH ACTUATOR	50	PLASTIC HEX MOUNTING SCREWS M5x15
10	STANDARD SHAFT ASSEMBLY FOR B_ HANDLE	51	BLANK MOUNTING PLATE
11	SECOND MOTION BRACKET	52	DEADMAN MOUNTING PLATE
12	SWITCHING GATES #1 SEE PAGE 1.6.3	53	1 POTENTIOMETER & DEADMAN MOUNTING PLATE
13	SWITCHING GATES #2 SEE PAGE 1.6.3	54	2 POTENTIOMETERS MOUNTING PLATE
14	SWITCHING GATES #3 SEE PAGE 1.6.3	55	2 POTENTIOMETERS & DEADMAN MOUNTING PLATE
16	0 STEP RATCHET (SMOOTH) WITH NUT	56	PAN HEAD SCREW M4x16
17	4 STEP RATCHET WITH NUT	57	POTENTIOMETER GEAR
18	5 STEP RATCHET WITH NUT	58	POTENTIOMETER SPRING
19	RETURN SPRING	59	POTENTIOMETER SEE SECTION 6
20	RETURN SPRING ACTUATOR (LONG)	60	POTENTIOMETER MOUNTING BRACKET
20.1	RETURN SPRING ACTUATOR (SHORT)	61	POTENTIOMETER MOUNTING SCREW M3x6
21	CAM SHAFT FOR 0 CONTACTS	62	RUBBER GROMMET
22	CAM SHAFT FOR 2 CONTACTS 01	63	SPACER
22.1	CAM SHAFT FOR 4 CONTACTS 02	64	BRACKET FOR TERMINAL STRIP
23	ROUND SHIM 8x14x0.3	65.1	4 POLE TERMINAL STRIP
24	RATCHET ROLLER	65.2	5 POLE TERMINAL STRIP
25	RATCHET ROLLER SPRING WITH SCREW M4x10	65.3	6 POLE TERMINAL STRIP
26	PAN HEAD SCREW M4x8	65.4	7 POLE TERMINAL STRIP
27	PAN HEAD SCREW M4x16	65.5	8 POLE TERMINAL STRIP
28	PAN HEAD SCREW M4x10	66	FRICTION BRAKE ASSEMBLY
29	CAM RETAINER WASHER	67	CHEESE HEAD SCREW M4x18
30	PLASTIC CAM HOLDER	68	CHEESE HEAD SCREW M4x16
31.1	BLANK PLASTIC CAM	69	FLAT SCREW M4x16
31.2	BLANK PLASTIC CAM SQUARE TYPE		