

THE VERSATILE BB1 PALM HANDLE IS MADE UP OF ALUMINIUM AND CAN BE ENGINEERED TO FIT INDIVIDUAL NEEDS. PUSHBUTTON, MICROSWITCHES AND ROCKER SWITCHES, ALONE OR IN COMBINATION, BUILT INTO THE B1 SERIES OF HANDLES, SAVE SPACE AND INCREASE OPERATOR EFFICIENCY. THE BB1 PALM HANDLE IS AVAILABLE AS AN OPTION ON ALL MASTER SWITCHES. IT ADDS EVEN GREATER VERSATILITY TO THESE SINGLE, DUAL AND THREE AXIS CONTROLLERS. IT CAN ALSO BE USED AS A CONTROL HANDLE ON MANUAL HYDRAULIC VALVES WITH ELECTRICAL ACCESSORIES OR ANY CONTROL LEVER WHICH REQUIRES AUXILIARY SWITCHING.
DEGREE OF PROTECTION FRONT: IP54

	BB1	PALM HANDLE ONLY
	BB1W-1	T-O-T ROCKER SWITCH ON TOP 10A 250V
	BB1W-2	T-O-R ROCKER SWITCH ON TOP RIGHT SIDE MAINTAINED
	BB1W-3	R-O-R ROCKER SWITCH ON TOP BOTH SIDES MAINTAINED
	BB1WD-1	T-O-T ROCKER SWITCH ON TOP 10A 250V 0.5A 250V S.P.S.T. SOFT TOUCH ON SIDE
	BB1WD-2	T-O-T ROCKER SWITCH ON TOP 10A 250V 10A 115V S.P.S.T. ON SIDE
	BB1WDD-1	T-O-T ROCKER SWITCH ON TOP 10A 250V 2 0.5A 250V S.P.S.T. SOFT TOUCH ON SIDE
	BB1WDD-2	T-O-T ROCKER SWITCH ON TOP 10A 250V 2 10A 115V S.P.S.T. ON SIDE
	BB1T	PUSHBUTTON IN TOP ROD TYPE
	BB1D-T-1	4A 250V S.P.D.T. ON TOP
	BB1D-T-2	4A 250V S.P.D.T. MAINTAINED ON TOP
	BB1D-T-3	0.5A 250V S.P.S.T. SOFT TOUCH ON TOP
	BB1D-T-4	10A 115V S.P.S.T. ON TOP
	BB1DD-1	4A 250V S.P.D.T. ON TOP 0.5A 250V S.P.S.T. SOFT TOUCH ON SIDE
	BB1DD-2	4A 250V S.P.D.T. ON TOP 10A 115V S.P.S.T. ON SIDE
	BB1DD-3	4A 250V S.P.D.T. MAINTAINED ON TOP 0.5A 250V S.P.S.T. SOFT TOUCH ON SIDE
	BB1DD-4	4A 250V S.P.D.T. MAINTAINED ON TOP 10A 115V S.P.S.T. ON SIDE
	BB1DD-5	0.5A 250V S.P.S.T. SOFT TOUCH ON TOP 0.5A 250V S.P.S.T. SOFT TOUCH ON SIDE
	BB1DD-6	10A 115V S.P.S.T. ON TOP 10A 115V S.P.S.T. ON SIDE
	BB1DDD-1	0.5A 250V S.P.S.T. SOFT TOUCH ON TOP 2 0.5A 250V S.P.S.T. SOFT TOUCH ON SIDE
	BB1DDD-2	10A 115V S.P.S.T. ON TOP 2 10A 115V S.P.S.T. ON SIDE
	BB1D-S-1	0.5A 250V S.P.S.T. SOFT TOUCH ON SIDE
	BB1D-S-2	10A 115V S.P.S.T. ON SIDE
	BB1DD-S-1	2 0.5A 250V S.P.S.T. SOFT TOUCH ON SIDE
	BB1DD-S-2	2 10A 115V S.P.S.T. ON SIDE
	BB1DDD-S-1	3 0.5A 250V S.P.S.T. SOFT TOUCH ON SIDE
	BB1DDD-S-2	3 10A 115V S.P.S.T. ON SIDE
	BB1WDL-1	0.5A 250V S.P.S.T. SOFT TOUCH ON TOP T-O-T ROCKER SWITCH ON SIDE 4A 250V
	BB1WDL-2	10A 115V S.P.S.T. ON TOP T-O-T ROCKER SWITCH ON SIDE 4A 250V
	BB1DL-1	0.5A 250V S.P.S.T. SOFT TOUCH ON SIDE
	BB1DL-2	10A 115V S.P.S.T. ON SIDE



**SENETT
CONTROL
CO. LTD.**

BB1 PALM HANDLE TARGET CHART

**VER.3
5.1.2A**

PIGTAIL ASSEMBLY	
<input type="checkbox"/>	WITHOUT
<input type="checkbox"/>	3 CONDUCTOR CABLE
<input type="checkbox"/>	4 CONDUCTOR CABLE
<input type="checkbox"/>	5 CONDUCTOR CABLE
<input type="checkbox"/>	LENGTH FROM BASE OF HANDLE
MM	IN.

COUPLING	
<input type="checkbox"/>	8mm COUPLING
<input type="checkbox"/>	10mm COUPLING
<input type="checkbox"/>	1/2" MALE COUPLING
<input type="checkbox"/>	SPECIAL COUPLING

CONSTRUCTION	
<input type="checkbox"/>	FULLY ASSEMBLED
<input type="checkbox"/>	NOT ASSEMBLED

NOTES

	BB1W-1	<input type="checkbox"/> T-O-T ROCKER SWITCH ON TOP 10A 250V
	BB1W-2	<input type="checkbox"/> T-O-R ROCKER SWITCH ON TOP RIGHT SIDE MAINTAINED
	BB1W-3	<input type="checkbox"/> R-O-R ROCKER SWITCH ON TOP BOTH SIDES MAINTAINED
	BB1WD-1	<input type="checkbox"/> T-O-T ROCKER SWITCH ON TOP 10A 250V <input type="checkbox"/> 0.5A 250V S.P.S.T. SOFT TOUCH ON SIDE
	BB1WD-2	<input type="checkbox"/> T-O-T ROCKER SWITCH ON TOP 10A 250V <input type="checkbox"/> 10A 115V S.P.S.T. ON SIDE
	BB1WDD-1	<input type="checkbox"/> T-O-T ROCKER SWITCH ON TOP 10A 250V <input type="checkbox"/> 2 0.5A 250V S.P.S.T. SOFT TOUCH ON SIDE
	BB1WDD-2	<input type="checkbox"/> T-O-T ROCKER SWITCH ON TOP 10A 250V <input type="checkbox"/> 2 10A 115V S.P.S.T. ON SIDE
	BB1D-T-1	<input type="checkbox"/> 4A 250V S.P.D.T. ON TOP
	BB1D-T-2	<input type="checkbox"/> 4A 250V S.P.D.T. MAINTAINED ON TOP
	BB1D-T-3	<input type="checkbox"/> 0.5A 250V S.P.S.T. SOFT TOUCH ON TOP
	BB1D-T-4	<input type="checkbox"/> 10A 115V S.P.S.T. ON TOP
	BB1DD-1	<input type="checkbox"/> 4A 250V S.P.D.T. ON TOP <input type="checkbox"/> 0.5A 250V S.P.S.T. SOFT TOUCH ON SIDE
	BB1DD-2	<input type="checkbox"/> 4A 250V S.P.D.T. ON TOP <input type="checkbox"/> 10A 115V S.P.S.T. ON SIDE
	BB1DD-3	<input type="checkbox"/> 4A 250V S.P.D.T. MAINTAINED ON TOP <input type="checkbox"/> 0.5A 250V S.P.S.T. SOFT TOUCH ON SIDE
	BB1DD-4	<input type="checkbox"/> 4A 250V S.P.D.T. MAINTAINED ON TOP <input type="checkbox"/> 10A 115V S.P.S.T. ON SIDE
	BB1DD-5	<input type="checkbox"/> 0.5A 250V S.P.S.T. SOFT TOUCH ON TOP <input type="checkbox"/> 0.5A 250V S.P.S.T. SOFT TOUCH ON SIDE
	BB1DD-6	<input type="checkbox"/> 10A 115V S.P.S.T. ON TOP <input type="checkbox"/> 10A 115V S.P.S.T. ON SIDE
	BB1DDD-1	<input type="checkbox"/> 0.5A 250V S.P.S.T. SOFT TOUCH ON TOP <input type="checkbox"/> 2 0.5A 250V S.P.S.T. SOFT TOUCH ON SIDE
	BB1DDD-2	<input type="checkbox"/> 10A 115V S.P.S.T. ON TOP <input type="checkbox"/> 2 10A 115V S.P.S.T. ON SIDE
	BB1D-S-1	<input type="checkbox"/> 0.5A 250V S.P.S.T. SOFT TOUCH ON SIDE
	BB1D-S-2	<input type="checkbox"/> 10A 115V S.P.S.T. ON SIDE
	BB1DD-S-1	<input type="checkbox"/> 2 0.5A 250V S.P.S.T. SOFT TOUCH ON SIDE
	BB1DD-S-2	<input type="checkbox"/> 2 10A 115V S.P.S.T. ON SIDE
	BB1DDD-S-1	<input type="checkbox"/> 3 0.5A 250V S.P.S.T. SOFT TOUCH ON SIDE
	BB1DDD-S-2	<input type="checkbox"/> 3 10A 115V S.P.S.T. ON SIDE
	BB1WDL-1	<input type="checkbox"/> 0.5A 250V S.P.S.T. SOFT TOUCH ON TOP <input type="checkbox"/> T-O-T ROCKER SWITCH ON SIDE 4A 250V
	BB1WDL-2	<input type="checkbox"/> 10A 115V S.P.S.T. ON TOP <input type="checkbox"/> T-O-T ROCKER SWITCH ON SIDE 4A 250V
	BB1DL-1	<input type="checkbox"/> 0.5A 250V S.P.S.T. SOFT TOUCH ON SIDE
	BB1DL-2	<input type="checkbox"/> 10A 115V S.P.S.T. ON SIDE

DATE

NAME

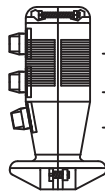
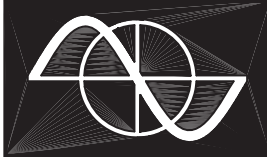
JOB#

FROM

PART#

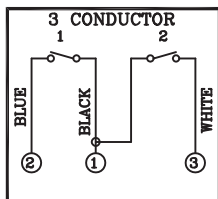
225 ADMIRAL BLVD. MISSISSAUGA, ONTARIO. L5T 2T3

TEL: (905) 564-0167
FAX: (905) 564-6633

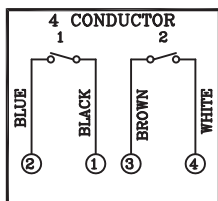


— BB1D-S3—
— BB1D-S2—
— BB1D-S1—

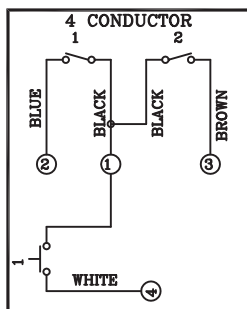
BB1W



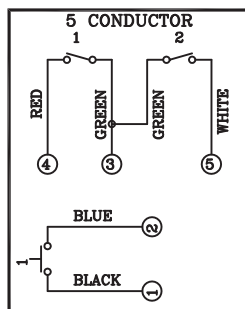
BB1W



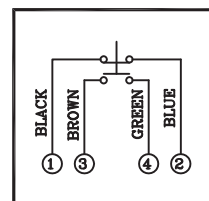
BB1WD-1&2



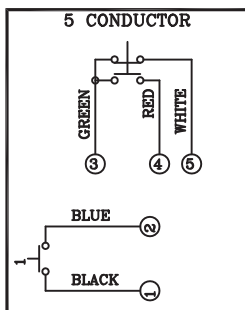
BB1WD-1&2



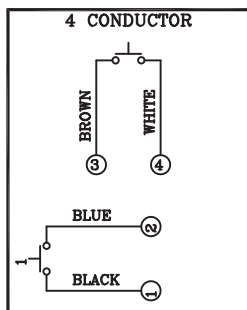
BB1D-T-1&2



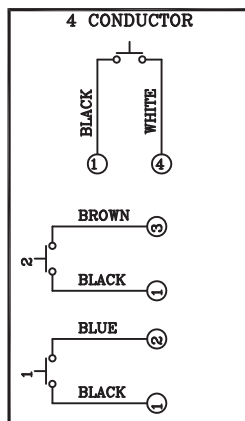
BB1DD-1to4



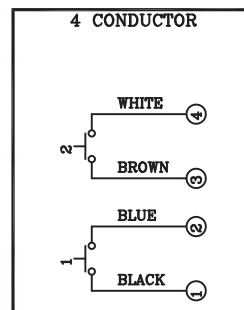
BB1DD-5&6



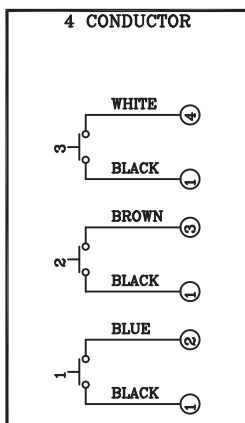
BB1DDD-1&2



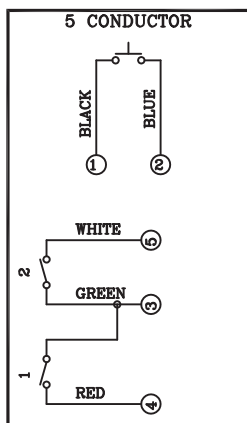
BB1DD-S-1&2



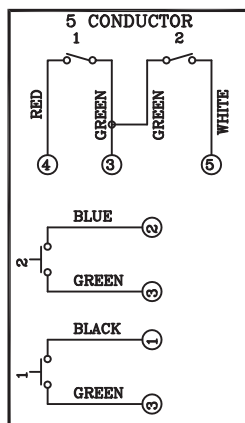
BB1DDD-S-1&2



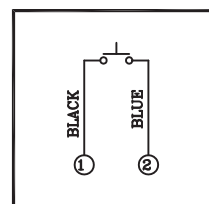
BB1DW-1&2

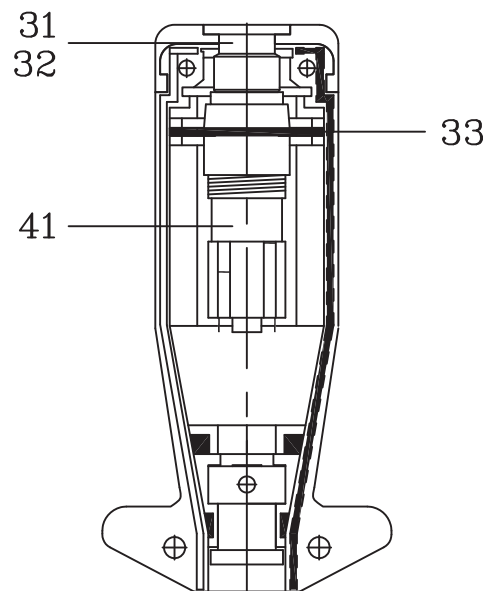
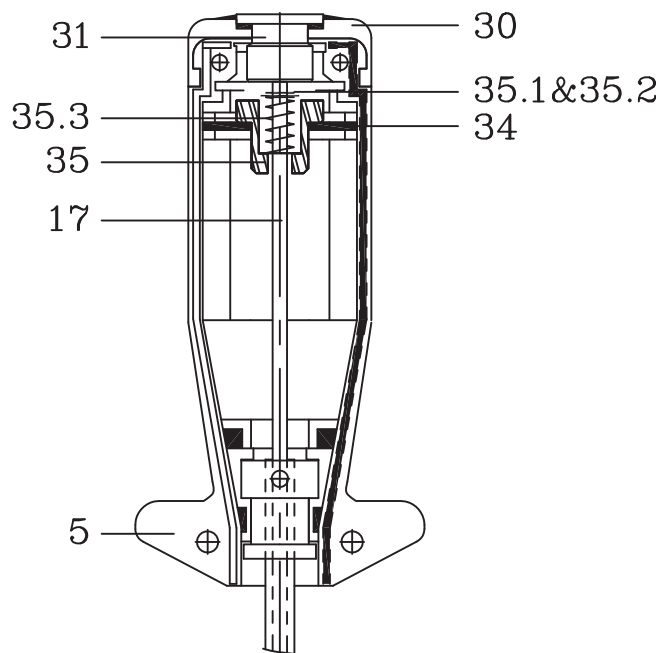
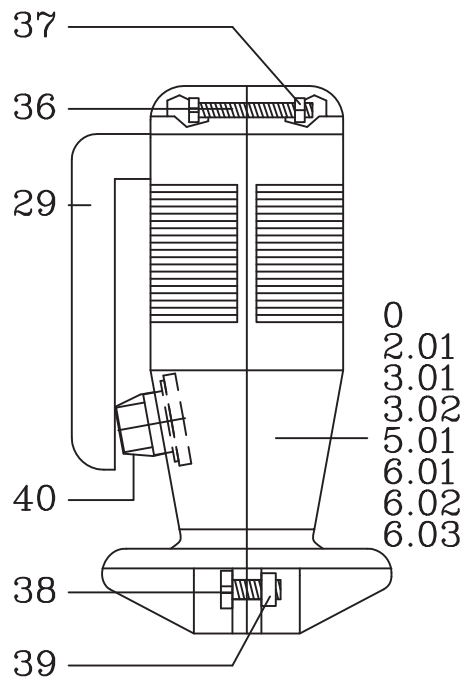
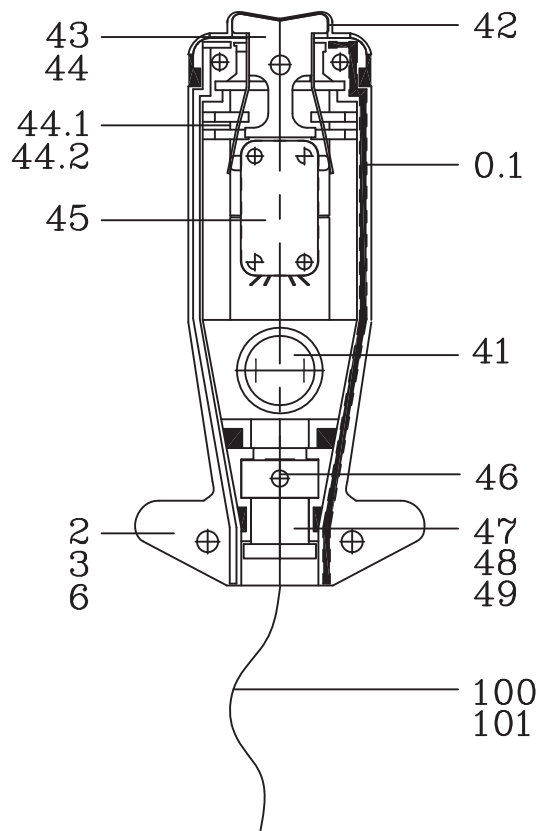


BB1WDD-1&2



BB1D-T-3&4
BB1D-S-1&2







PART#	DESCRIPTION
0	1/2 HANDLE ONLY
0.1	GASKET
2	2 PIECE HANDLE FOR BB1W c/w SCREWS & GASKET
2.01	1/2 HANDLE ONLY FOR BB1W
3.1	2 PIECE HANDLE FOR BB1WD-1 S.T BUTTON c/w SCREWS & GASKET
3.2	2 PIECE HANDLE FOR BB1WD-2 WT. BUTTON c/w SCREWS & GASKET
3.01	1/2 HANDLE ONLY FOR BB1WD-1 SOFT TOUCH PUSHBUTTON
3.02	1/2 HANDLE ONLY FOR BB1WD-2 WATERTIGHT PUSHBUTTON
5	2 PIECE HANDLE FOR BB1T c/w SCREWS & GASKET
5.01	1/2 HANDLE ONLY FOR BB1T
6.1	2 PIECE HANDLE FOR BB1DD-1 S.T BUTTON c/w SCREWS & GASKET
6.2	2 PIECE HANDLE FOR BB1DD-2 WT. BUTTON c/w SCREWS & GASKET
6.01	1/2 HANDLE ONLY FOR BB1DD-1 SOFT TOUCH PUSHBUTTON
6.02	1/2 HANDLE ONLY FOR BB1DD-2 WATERTIGHT PUSHBUTTON
6.3	2 PIECE HANDLE FOR BB1DL-2 WATERTIGHT PUSHBUTTON c/w LEVER, SCREWS&GASKET
6.03	1/2 HANDLE ONLY FOR BB1DL-2 WATERTIGHT PUSHBUTTON c/w LEVER& PUSHBUTTON
17	DEADMAN ROD REFER TO CR. NUMBER
29	PUSHBUTTON LEVER
30	TOP BOOT FOR PUSHBUTTON BLACK
30.1	TOP BOOT FOR PUSHBUTTON RED
31	PUSHBUTTON ACTUATOR
32	PUSHBUTTON ACTUATOR FOR WATERTIGHT PUSHBUTTON
33	MOUNTING WASHER FOR WATERTIGHT PUSHBUTTON
33.1	MOUNTING WASHER FOR SOFT TOUCH PUSHBUTTON
34	MOUNTING WASHER FOR HOUSING
35	HOUSING
35.1	EYE CLIP
35.2	FLAT WASHER
35.3	SPRING
36	CHEESE HEAD SCREW M3x16
37	HEXAGON NUT M3
38	PAN HEAD SCREW M4x10
39	HEXAGON NUT M4
40	BOOT FOR SOFT TOUCH PUSHBUTTON
41	PUSHBUTTON REFER TOPH NUMBER OR CR NUMBER
42	TOP BOOT FOR ROCKER ACTUATOR BLACK
42.1	TOP BOOT FOR ROCKER ACTUATOR RED
43	ROCKER SWITCH ACTUATOR T-O-T
44	ROCKER SWITCH ACTUATOR R-O-R OR R-O-T
44.1	ROCKER SWITCH ACTUATOR BAR T-O-T
44.2	ROCKER SWITCH ACTUATOR BAR R-O-T
45	MICROSWITCH
46	HEX SOCKET SET SCREW M4x5
47	8mm COUPLING
48	8mm COUPLING FOR V10
49	10mm COUPLING
100	CABLE REFER TO PH NUMBER OR CR. NUMBER
101	WIRES REFER TO PH NUMBER OR CR. NUMBER