

THE B9 PALM HANDLES CAN BE INCORPORATED INTO OUR MULTI-AXIS CONTROLLER PRODUCTS OR USED AS AN ACTUATING ELEMENT FOR HYDRAULIC DRIVES. VARIOUS PUSH BUTTONS, ROCKER SWITCHES, ETC. CAN ALSO BE INCORPORATED TO SUIT APPROPRIATE REQUIREMENTS. THE HANDLE INCORPORATES POTENTIOMETER CONTROL IN BASE ROTATION AND A BI-DIRECTIONAL POTENTIOMETER MOUNTED ON THE BACK OF THE HANDLE. THE MOUNTING PIECE FOR THE DRIVE ROD CAN BE SUPPLIED WITH A TAPPED HOLE (12 OR 10 MM). THE GRIP HAS A HIGHLY FLEXIBLE WIRE AND IS CONSTRUCTED WITH GREY PA PLASTIC.

CONTACT RATING:

0.5A 110V AC 15 RES.

1.5A 24V DC 13

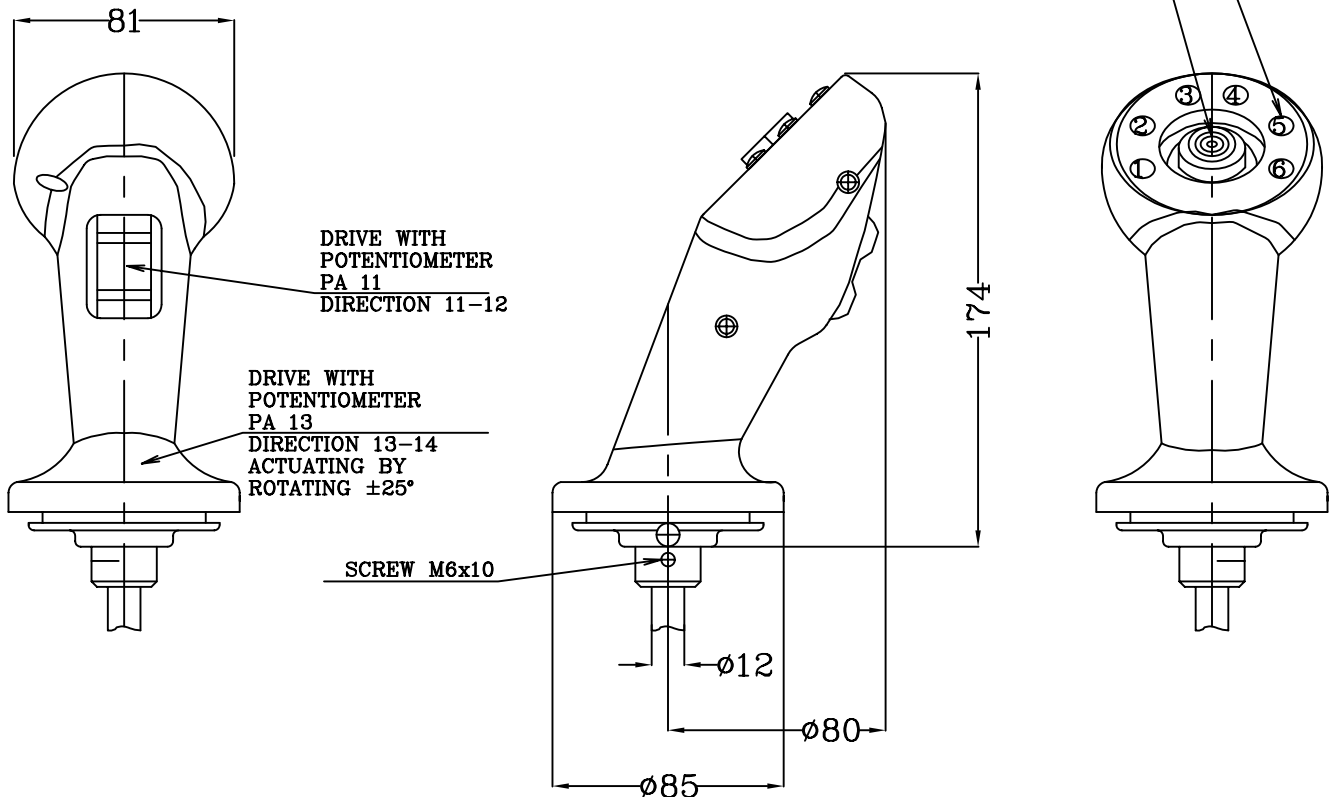
MINIMUM CURRENT 0.2 MA 2V DC 12

MAXIMUM CURRENT 300 MA 0.4 VDC DC 12

GOLD PLATED FOR MAXIMUM LOAD OF 0.12 WATTS

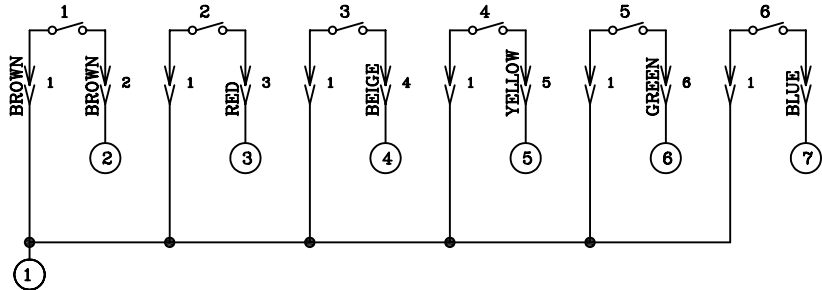
PUSH BUTTONS
POS. 1,2,3,4,5,6

CROSS SWITCH MOMT.-0-MOMT.
MAIN.-0-MAIN.

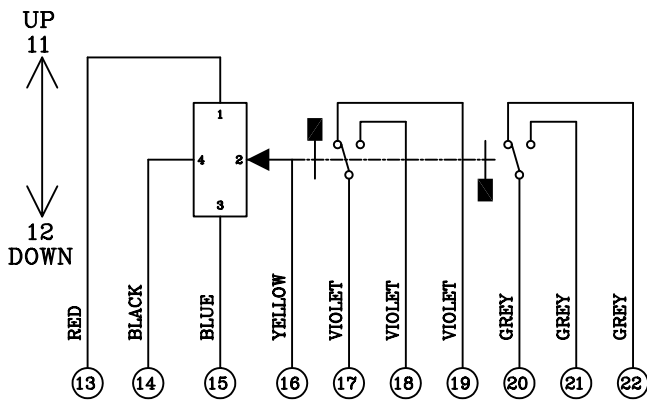




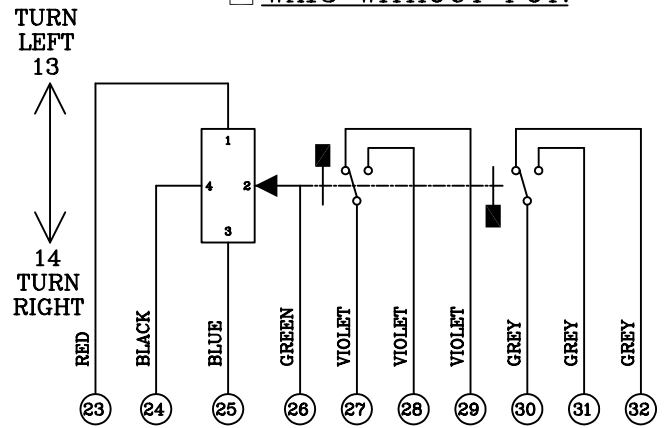
PUSH BUTTONS



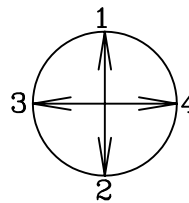
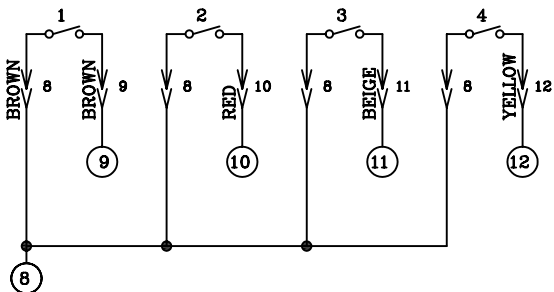
PA11 WITH POT.
 WA11 WITHOUT POT.



PA13 WITH POT.
 WA13 WITHOUT POT.



T-O-T / T-O-T
 R-O-R / R-O-R ROCKER SWITCH



COUPLING	
<input type="checkbox"/>	10mm COUPLING
<input type="checkbox"/>	12mm COUPLING STANDARD
<input type="checkbox"/>	SPECIAL COUPLING
<input type="checkbox"/>	LENGTH FROM BASE
MM	IN.
NOTES	

DATE NAME JOB# FROM PART#