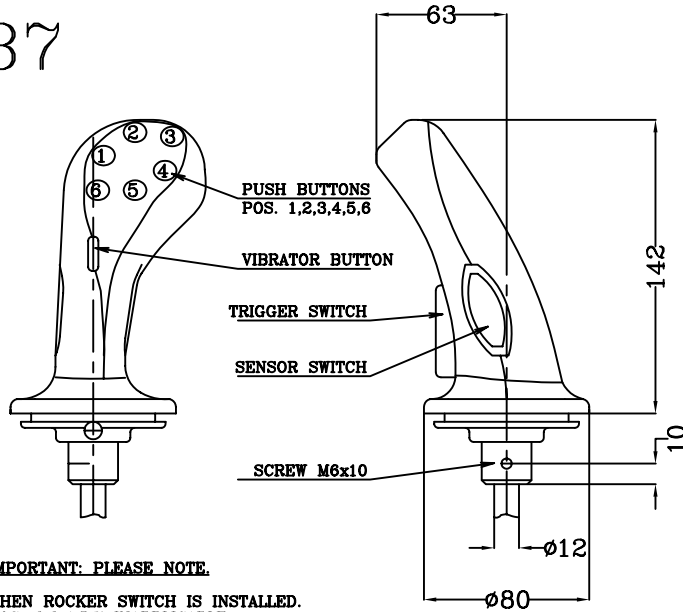


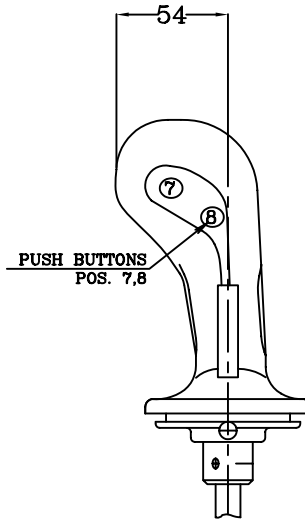
THE B7 (LEFT DESIGN) AND B8 (RIGHT DESIGN) PALM HANDLES CAN BE INCORPORATED INTO OUR MULTI-AXIS CONTROLLER PRODUCTS OR USED AS AN ACTUATING ELEMENT FOR HYDRAULIC DRIVES. VARIOUS PUSH BUTTONS, ROCKER SWITCHES, ETC. CAN ALSO BE INCORPORATED TO SUIT APPROPRIATE REQUIREMENTS. THE MOUNTING PIECE FOR THE DRIVE ROD CAN BE SUPPLIED WITH A TAPPED HOLE (12 OR 10 MM). THE GRIP HAS A HIGHLY FLEXIBLE WIRE AND IS CONSTRUCTED WITH BLACK PPO PLASTIC.

CONTACT RATING:
0.5A 110V AC 15 RES.
1.5A 24V DC 13
MINIMUM CURRENT 0.2 MA 2V DC 12
MAXIMUM CURRENT 300 MA 0.4 VDC DC 12
GOLD PLATED FOR MAXIMUM LOAD OF 0.12 WATTS

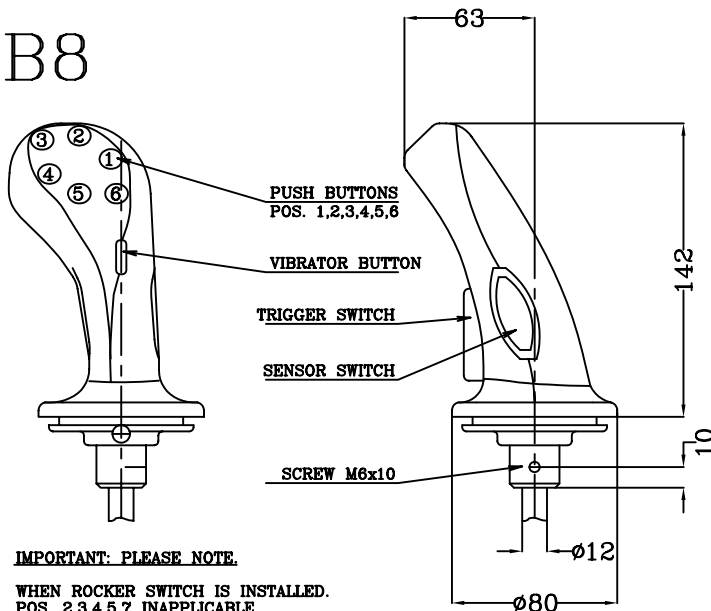
B7



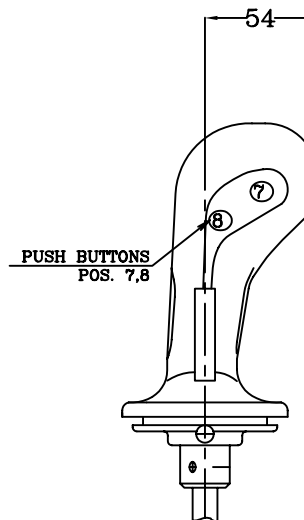
IMPORTANT: PLEASE NOTE.
WHEN ROCKER SWITCH IS INSTALLED.
POS. 2,3,4,5,7 INAPPLICABLE.



B8

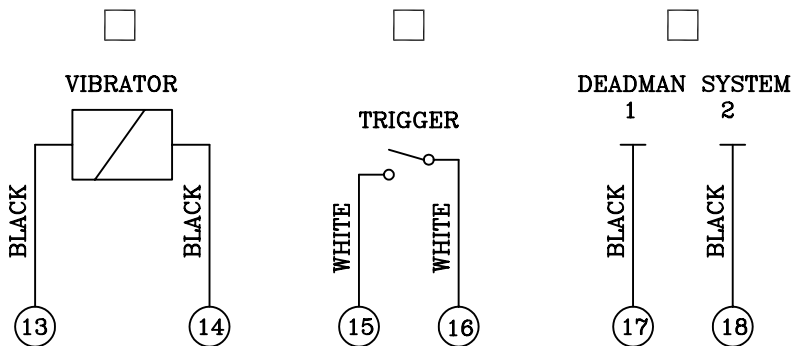
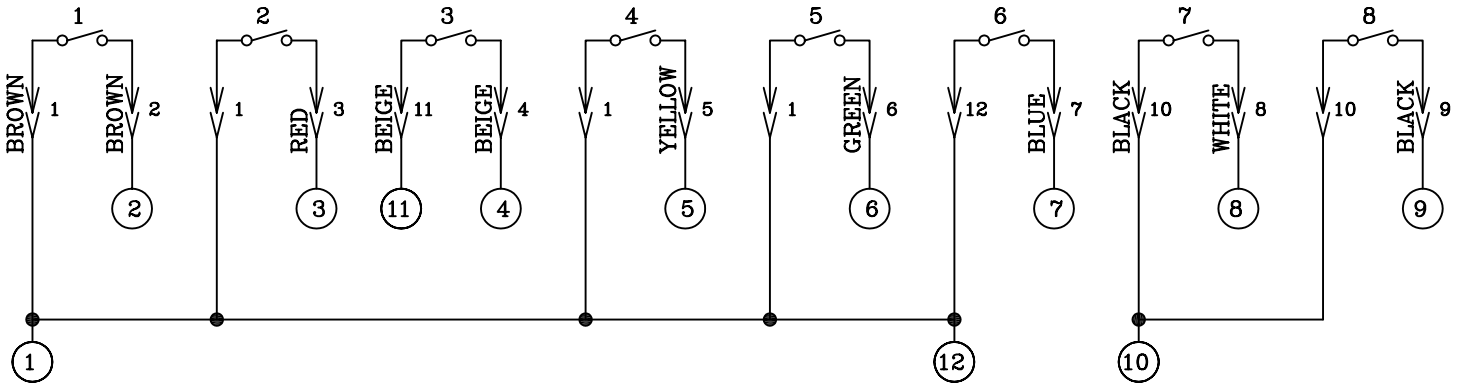


IMPORTANT: PLEASE NOTE.
WHEN ROCKER SWITCH IS INSTALLED.
POS. 2,3,4,5,7 INAPPLICABLE.





COLOUR CAP	COLOUR CAP	COLOUR CAP	COLOUR CAP	COLOUR CAP	COLOUR CAP	COLOUR CAP	COLOUR CAP
<input type="checkbox"/> BLACK	<input type="checkbox"/> BLACK	<input type="checkbox"/> BLACK	<input type="checkbox"/> BLACK	<input type="checkbox"/> BLACK	<input type="checkbox"/> BLACK	<input type="checkbox"/> BLACK	<input type="checkbox"/> BLACK
<input type="checkbox"/> BLUE	<input type="checkbox"/> BLUE	<input type="checkbox"/> BLUE	<input type="checkbox"/> BLUE	<input type="checkbox"/> BLUE	<input type="checkbox"/> BLUE	<input type="checkbox"/> BLUE	<input type="checkbox"/> BLUE
<input type="checkbox"/> GREEN	<input type="checkbox"/> GREEN	<input type="checkbox"/> GREEN	<input type="checkbox"/> GREEN	<input type="checkbox"/> GREEN	<input type="checkbox"/> GREEN	<input type="checkbox"/> GREEN	<input type="checkbox"/> GREEN
<input type="checkbox"/> RED	<input type="checkbox"/> RED	<input type="checkbox"/> RED	<input type="checkbox"/> RED	<input type="checkbox"/> RED	<input type="checkbox"/> RED	<input type="checkbox"/> RED	<input type="checkbox"/> RED
<input type="checkbox"/> WHITE	<input type="checkbox"/> WHITE	<input type="checkbox"/> WHITE	<input type="checkbox"/> WHITE	<input type="checkbox"/> WHITE	<input type="checkbox"/> WHITE	<input type="checkbox"/> WHITE	<input type="checkbox"/> WHITE
<input type="checkbox"/> YELLOW	<input type="checkbox"/> YELLOW	<input type="checkbox"/> YELLOW	<input type="checkbox"/> YELLOW	<input type="checkbox"/> YELLOW	<input type="checkbox"/> YELLOW	<input type="checkbox"/> YELLOW	<input type="checkbox"/> YELLOW



COUPLING	
<input type="checkbox"/>	10mm COUPLING
<input type="checkbox"/>	12mm COUPLING STANDARD
<input type="checkbox"/>	SPECIAL COUPLING
<input type="checkbox"/>	LENGTH FROM BASE
MM	IN.

NOTES

DATE NAME JOB# FROM PART#