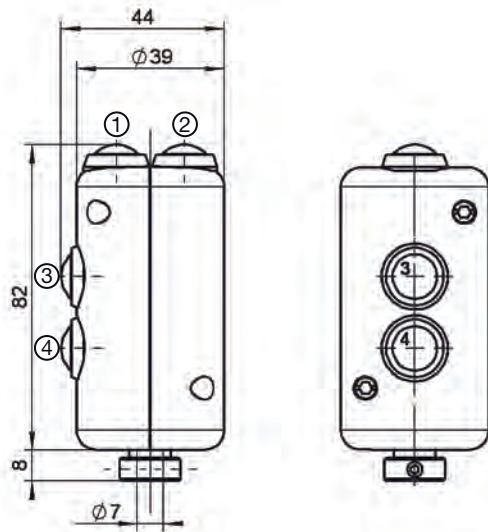






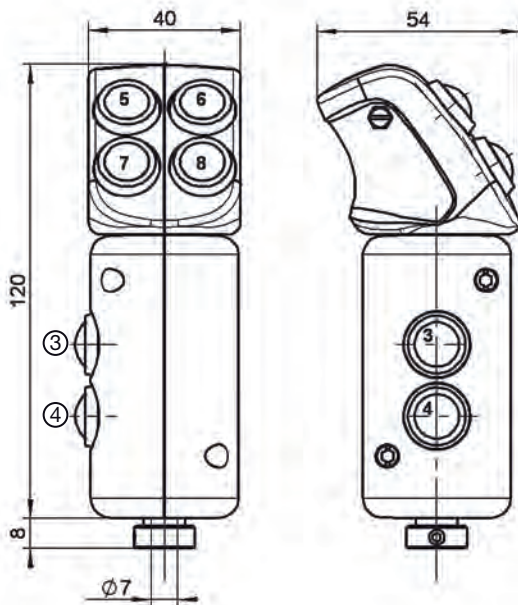
**B 22**



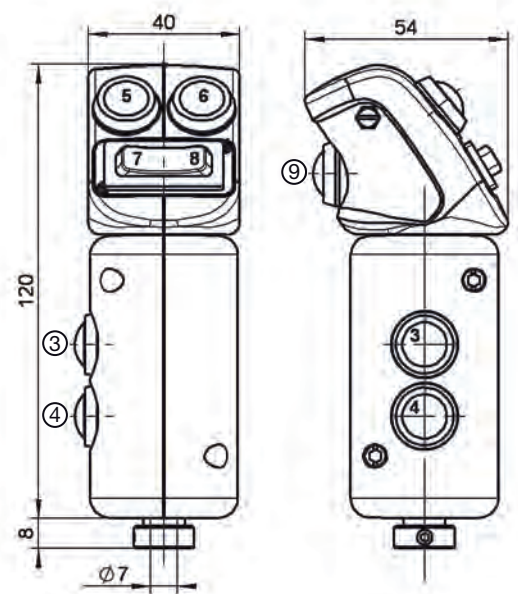
Edition:  
Push button installed Pos. 1 - 4

**B 22-1**

(B 22-2 mirror image)



Edition:  
Push button installed Pos. 3 - 4, 5 - 6, 7 - 8  
Sensor button function on each or both sides



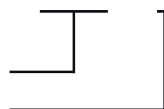
Edition:  
Push button installed Pos. 3 - 4, 5 - 6, 9  
Rocker switch installed Pos. 7 - 8

Example for type sign

**B 22-1 - D - W - X**

Palm grip with annex component

Push button



Special please describe

Rocker switch

