



Type B 20

The Palm grip B 20 is an actuating element for our multi-axis controller V 8, VV 8, V 85, VV 85, V6, VV6. It can also be used as an actuating element for hydraulic drives. Push buttons, rocker switches, etc. can also be fitted to suit appropriate requirements. The palm grip has a highly flexible wire 0,1 mm² x 450 mm long. The mounting piece for the drive rod can be supplied with a tapped hole 12 mm. The palm grip B 20 is made of PAGF35 plastic and is black in colour.

Contact complement 0,5 A 110 V AC 15 or 1,5 A 24 V DC 13
I min > 0,2 mA 2 V DC 12 Gold plated for max. load of 0,12 Watt (standard)

Micro change over contacts available on request

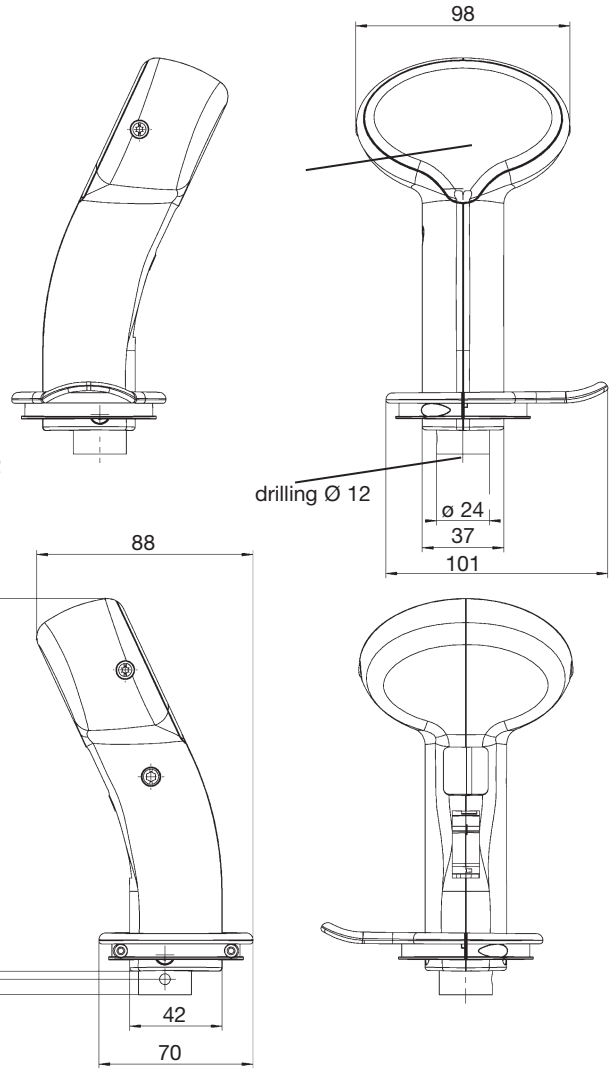
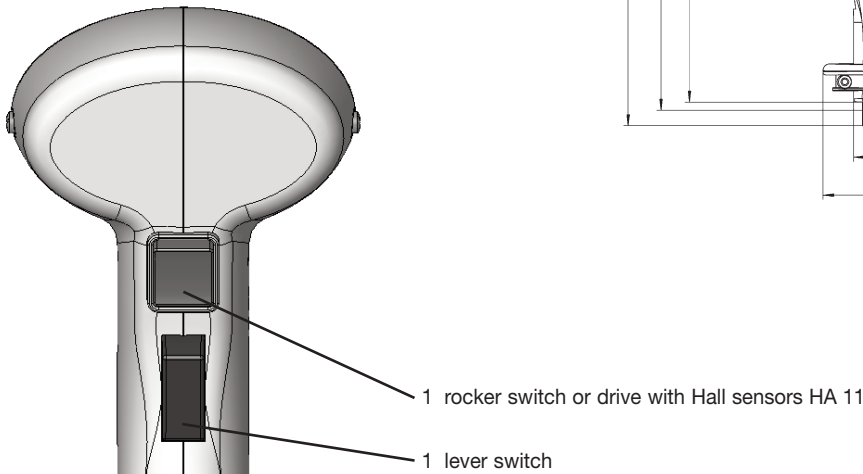
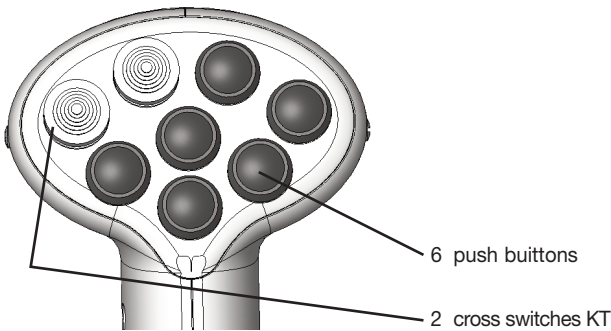
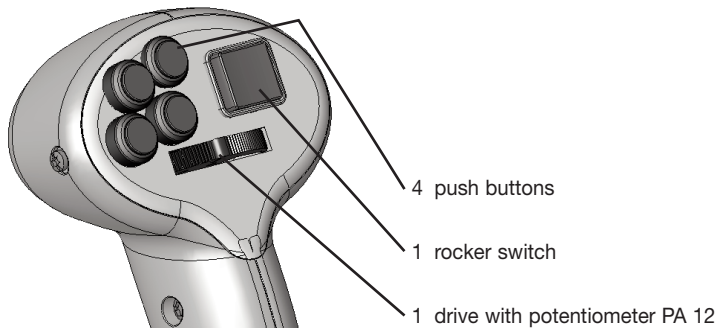
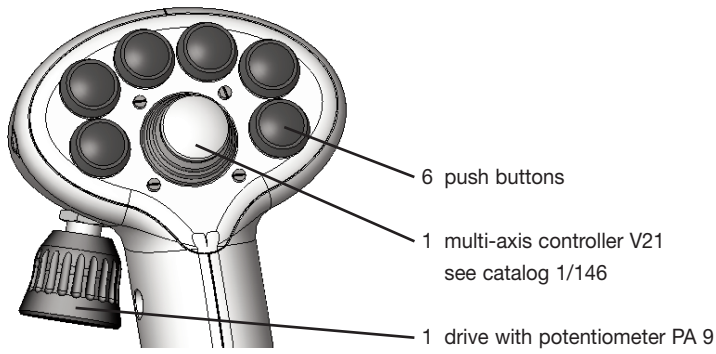
permissible ambient temperature operating -40° C to +60° C
storage -50° C to +80° C

climate resistance IEC 60068-2-78
damp heat constant IEC 60068-2-30
damp heat cyclic IP 65 IEC/IEC 60529
degree of protection front

Pos.			Contact-complement	Weight gramm	Type	Pice EURO
1	Palm grip with mounting piece for control handle with hand rest left or right				B 20	
2	Push button colour red RD, black BK, yellow YE, green GN, blue BU		1 normally open	20	D	
3	Push button colour red RD, black BK, yellow YE, green GN, blue BU	KDA21	1 NO 0,1 A 24 V DC 13	20	D	
8	Rocker switch	KEM 59	2 normally open			
8.1	Rocker switch tip-0-tip T-0-T			30	W	
8.2	Rocker switch 0-tip 0-T			30	W	
8.3	Rocker switch rest-0-tip R-0-T			30	W	
8.4	Rocker switch rest-0-rest R-0-R			30	W	
8.5	Rocker switch 0-rest 0-R			30	W	
8.6	Rocker switch rest - rest R - R			30	W	
11	Lever switch		1 normally open	30	K	
12	Cross switch tip-0-tip T-O-T / T-O-T color red RD, black BK, grey GR	T 4	4 normally open	30	KT	
14	Drive with potentiometer PA9, actuating by rotary mechanism 1 wire-wound potentiometer T... 5 kOhm 2 Watt	KBAD 670		70	PA 9	
17	Drive with Hall sensors HA 11, actuating by rocker wheel installed with spring return in centre position, with electronic redundant Voltage output impressed Power supply 4,6-5,5 Volt output 0,5-2,5-4,5 Volt +5 mA output characteristic linear			90	HA 11	
18	Drive with potentiometer PA 12, actuating by rocker wheel installed with spring return in centre position, 1 conductive plastic potentiometer T 375 with centre tap 10 ⁷ switching cycles, resistance 2 x 5 kOhm 0,5 Watt wiper current max 1 mA, 2 direction contacts		2 normally open	90	PA 12	
19	Drive with Hall sensors HA 12, actuating by rocker wheel installed with spring return in centre position, with electronic redundant Voltage output impressed Power supply 4,6-5,5 Volt output 0,5-2,5-4,5 Volt +5 mA output characteristic linear			90	HA 12	
20	Drive with potentiometer PA 13, actuating by rotating palm grip left resp. right with spring return in centre position, 1 conductive plastic potentiometer T 375 with centre tap 10 ⁷ switching cycles, resistance 2x5 kOhm 0,5 Watt wiper current max 1 mA, 2 direction contacts		2 normally open	90	PA 13	
21	Drive with Hall sensors HA 13, actuating by rotating palm grip left resp. right with spring return in centre position, with electronic redundant Voltage output impressed Power supply 4,6-5,5 Volt output 0,5-2,5-4,5 Volt +5 mA output characteristic linear			90	HA 13	
22	Multi-axis controller V 21 look Catalog 1/146				V 21	
25	Vibrator button actuating through solenoid 24V DC impulse signal 100% duty cycle (e.g. indication of cable movement)			60	V	
30	Bellow for palm grip B 20 (Part-no.: 5209900402) required for multi-axis controller V 8, VV 8, V 85, VV 85	KMD 109		60		
31	Bellow for palm grip B 20 (Part-no.: 5209900577) required for multi-axis controller V 6, VV 6	KMD 229				
32	Front plate with 4 screws M5 x 15 (for mounting the bellow) required for bellow KMD 229	KBF 905				
33	Rubber cap protection IP 67 for push button Pos. 2 color red RD, black BK, yellow YE, green GN, blue BU	KMD 179				



1



more variants available upon request

Example for type-sign

palm grip
push button
multi-axis controller V 21

B 20 - 6D V21 PA9 W K -X



special please describe
lever switch
rocker switch
drive with potentiometer PA9