

THE B2 PALM HANDLE INCORPORATES TWO 13mm STROKE PUSH BUTTONS. THEY CAN OPERATE POTENTIOMETERS OR DIRECTIONAL CONTACTS. IF ORDERED WITH THE TWO CONTACTS ONLY (NO POTENTIOMETERS), THE STROKE IS SHORTENED. THE HANDLE CAN BE USED IN COMBINATION WITH THE MASTER SWITCHES OR ANY OTHER CUSTOM APPLICATION. THE PUSH BUTTONS CAN BE SUPPLIED WITH A MECHANICAL INTERLOCK.

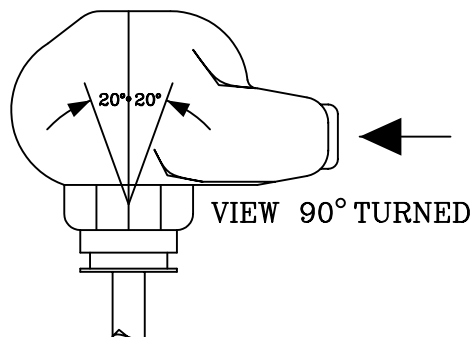
THE MOUNTING OF THE B2 PALM HANDLE CAN BE ADJUSTED STEPLESSLY UP TO 20° IN ANY DIRECTION. THE CONTACT RATING IS 3A 125V AC OR 2A 30V DC. THE MATERIAL USED IS NORYL WHICH CAN BE USED FROM -40C. TO + 120C. FOR SHORT PERIODS OF TIME. THE HANDLE CAN BE EXPOSED TO +150C. THIS WOULD FACILITATE STERILIZATION.

THE SHAFT CAN BE ORDERED WITH A 8mm DIAMETER SHAFT AND A M8 THREAD, OR WITH A 10mm DIAMETER SHAFT AND AN M10 THREAD.

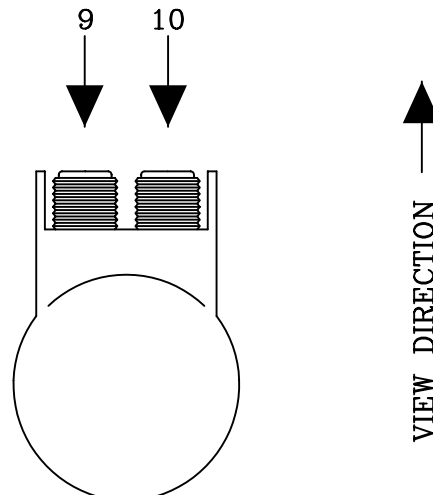
CONTACTS ARE RATED AT 0.5A. 110V AC15 RES. 1.5A. 24V DC13.

DEGREE OF PROTECTION FRONT: IP54

TYPE	
B2	PALM HANDLE C/W COUPLING
M	MECHANICAL INTERLOCK OF PUSHBUTTONS.
2	2 PUSH BUTTONS
PP	2 WIRE WOUND POTS. T 239 LINEAR LIFE 10 ⁶ CYCLES RESISTANCE 1,2,5 KOHM 1 WATT, 10ma.
PP	2 CONDUCTIVE PLASTIC POTS. T 301 LINEAR LIFE 10 ⁷ CYCLES RESISTANCE 1,2,5 KOHM 0.5 WATT, 1ma.



M8 OR M10



PIGTAIL ASSEMBLY	
<input type="checkbox"/>	WITHOUT
<input type="checkbox"/>	4 CONDUCTOR CABLE
<input type="checkbox"/>	5 CONDUCTOR CABLE
<input type="checkbox"/>	<input type="checkbox"/> LENGTH FROM BASE OF HANDLE
MM	IN.

COUPLING	
<input type="checkbox"/>	8mm COUPLING
<input type="checkbox"/>	10mm COUPLING
<input type="checkbox"/>	SPECIAL COUPLING

<input type="checkbox"/>	M-MECH. INTERLOCK OF PUSHBUTTONS.
<input type="checkbox"/>	2-PUSH BUTTONS
<input type="checkbox"/>	2 WIRE WOUND POTS. T 239 K
<input type="checkbox"/>	2 CONDUCTIVE PLASTIC POTS. T 301 K

NOTES

DATE	NAME	JOB#	FROM	PART#