



**SENETT  
CONTROL  
CO. LTD.**

**Palm grip B 14 / B 15**



Type B142D-...

Type B152D-...

The palm grip B 14 is an actuating element for our multi-axis controller V 8, VV 8, V 6, VV 6, VV 5 design left, B 15 for design right.  
It can also be used as an actuating element for hydraulic drives.  
Push buttons, rocker switches, e.t.c., can also be fitted to suit appropriate requirements.

The palm grip has a highly flexible single wire 0,1 mm<sup>2</sup> x 450 mm long.

The mounting piece for the drive rod can be supplied with a tapped hole 12 or 10 mm (standard = 12 mm).

The palm grip B 14/15 is made of PA plastic and is black in colour.

**Contact complement 0,125 A 110 V AC 15 or 0,1 A 24 V DC 13**

Permissible ambient temperature                      Operating    -40°C to +60°C  
Storage    -50°C to +80°C

Climate resistance    IEC 60068-2-78  
Damp heat constant    IEC 60068-2-30  
Damp heat cyclic    IP 65 IEC/EN 60529  
Degree of protection front

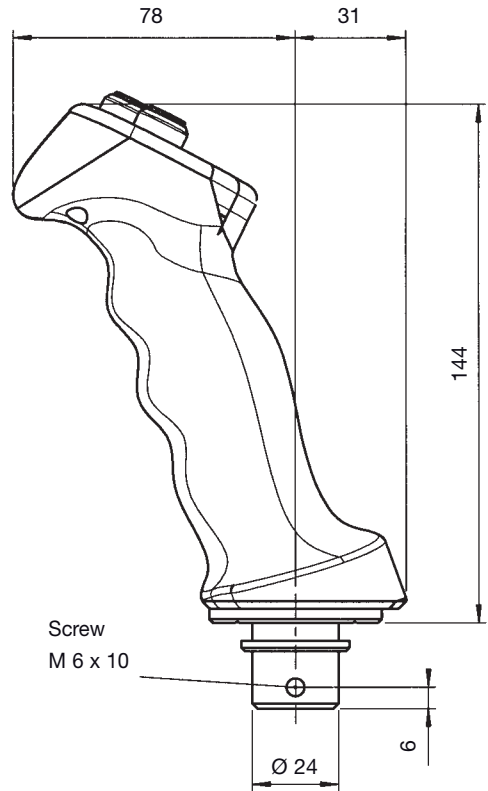
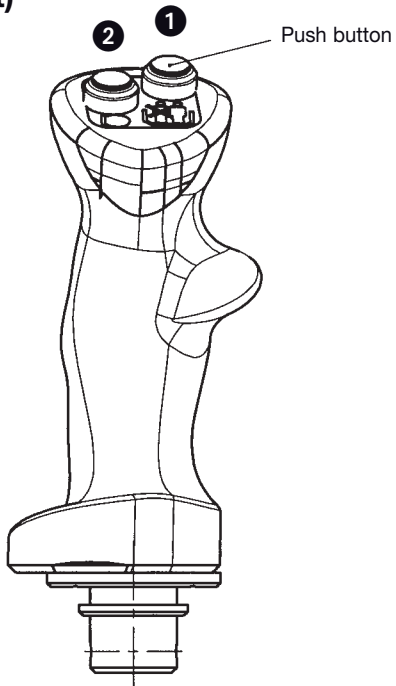
Pos.			Contact-complement	Weight gramm	Type
1	Palm grip with mounting piece for control-handle design left			200	B 14
2	Palm grip with mounting piece for control-handle design right			200	B 15
3	Push button installed Pos. 1, 2 color red RD, black BK, yellow YE, green GN, blue BU, white WH	KDA21	1 N0 0,1 A 24 V DC 13	20	D
30					
31					
32					
33					



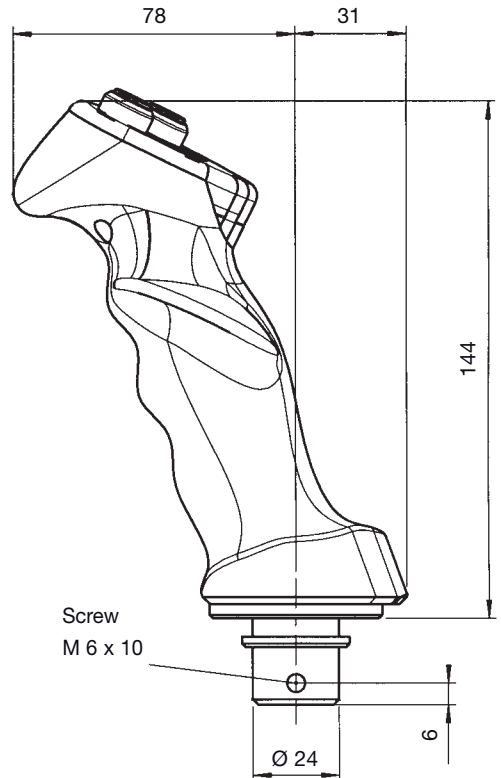
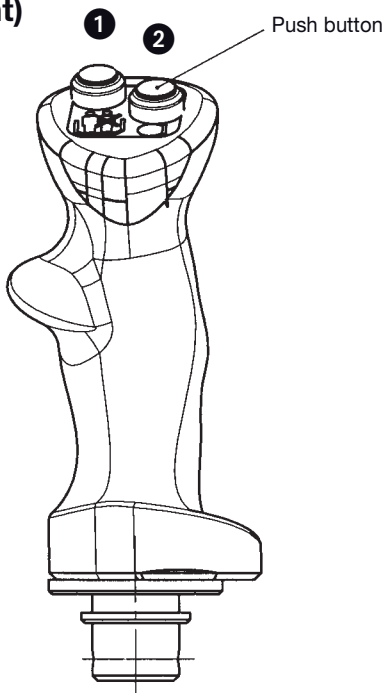
SENETT  
CONTROL  
CO. LTD.

Palm grip B 14 / B 15

B 14 (left)

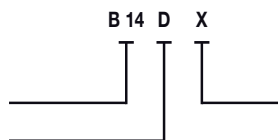


B 15 (right)



Example for type-sign

Palm grip  
Push button



Special please describe