

THE VERSATILE B1 PALM HANDLE IS MADE UP OF NORYL AND CAN BE ENGINEERED TO FIT INDIVIDUAL NEEDS. PUSHBUTTON, MICROSWITCHES AND ROCKER SWITCHES, ALONE OR IN COMBINATION, BUILT INTO THE B1 SERIES OF HANDLES, SAVE SPACE AND INCREASE OPERATOR EFFICIENCY. THE B1 PALM HANDLE IS AVAILABLE AS AN OPTION ON ALL MASTER SWITCHES. IT ADDS EVEN GREATER VERSATILITY TO THESE SINGLE, DUAL AND THREE AXIS CONTROLLERS. IT CAN ALSO BE USED AS A CONTROL HANDLE ON MANUAL HYDRAULIC VALVES WITH ELECTRICAL ACCESSORIES OR ANY CONTROL LEVER WHICH REQUIRES AUXILIARY SWITCHING.  
DEGREE OF PROTECTION FRONT: IP54

	B1	PALM HANDLE ONLY
	B1W-1	T-O-T ROCKER SWITCH ON TOP 10A 250V
	B1W-2	T-O-R ROCKER SWITCH ON TOP RIGHT SIDE MAINTAINED
	B1W-3	R-O-R ROCKER SWITCH ON TOP BOTH SIDES MAINTAINED
	B1WD-1	T-O-T ROCKER SWITCH ON TOP 10A 250V 0.5A 250V S.P.S.T. SOFT TOUCH ON SIDE
	B1WD-2	T-O-T ROCKER SWITCH ON TOP 10A 250V 10A 115V S.P.S.T. ON SIDE
	B1WDD-1	T-O-T ROCKER SWITCH ON TOP 10A 250V 2 0.5A 250V S.P.S.T. SOFT TOUCH ON SIDE
	B1WDD-2	T-O-T ROCKER SWITCH ON TOP 10A 250V 2 10A 115V S.P.S.T. ON SIDE
	B1T	PUSHBUTTON IN TOP ROD TYPE
	B1D-T-1	4A 250V S.P.D.T. ON TOP
	B1D-T-2	4A 250V S.P.D.T. MAINTAINED ON TOP
	B1D-T-3	0.5A 250V S.P.S.T. SOFT TOUCH ON TOP
	B1D-T-4	10A 115V S.P.S.T. ON TOP
	B1DD-1	4A 250V S.P.D.T. ON TOP 0.5A 250V S.P.S.T. SOFT TOUCH ON SIDE
	B1DD-2	4A 250V S.P.D.T. ON TOP 10A 115V S.P.S.T. ON SIDE
	B1DD-3	4A 250V S.P.D.T. MAINTAINED ON TOP 0.5A 250V S.P.S.T. SOFT TOUCH ON SIDE
	B1DD-4	4A 250V S.P.D.T. MAINTAINED ON TOP 10A 115V S.P.S.T. ON SIDE
	B1DD-5	0.5A 250V S.P.S.T. SOFT TOUCH ON TOP 0.5A 250V S.P.S.T. SOFT TOUCH ON SIDE
	B1DD-6	10A 115V S.P.S.T. ON TOP 10A 115V S.P.S.T. ON SIDE
	B1DDD-1	0.5A 250V S.P.S.T. SOFT TOUCH ON TOP 2 0.5A 250V S.P.S.T. SOFT TOUCH ON SIDE
	B1DDD-2	10A 115V S.P.S.T. ON TOP 2 10A 115V S.P.S.T. ON SIDE
	B1D-S-1	0.5A 250V S.P.S.T. SOFT TOUCH ON SIDE
	B1D-S-2	10A 115V S.P.S.T. ON SIDE
	B1DD-S-1	2 0.5A 250V S.P.S.T. SOFT TOUCH ON SIDE
	B1DD-S-2	2 10A 115V S.P.S.T. ON SIDE
	B1DDD-S-1	3 0.5A 250V S.P.S.T. SOFT TOUCH ON SIDE
	B1DDD-S-2	3 10A 115V S.P.S.T. ON SIDE
	B1WDL-1	0.5A 250V S.P.S.T. SOFT TOUCH ON TOP T-O-T ROCKER SWITCH ON SIDE 4A 250V
	B1WDL-2	10A 115V S.P.S.T. ON TOP T-O-T ROCKER SWITCH ON SIDE 4A 250V
	B1DL-1	0.5A 250V S.P.S.T. SOFT TOUCH ON SIDE
	B1DL-2	10A 115V S.P.S.T. ON SIDE



**SENETT  
CONTROL  
CO. LTD.**

# B1 PALM HANDLE TARGET CHART

**VER.3  
5.1.2**

PIGTAIL ASSEMBLY	
<input type="checkbox"/>	WITHOUT
<input type="checkbox"/>	3 CONDUCTOR CABLE
<input type="checkbox"/>	4 CONDUCTOR CABLE
<input type="checkbox"/>	5 CONDUCTOR CABLE
<input type="checkbox"/>	<input type="checkbox"/> LENGTH FROM BASE OF HANDLE
MM	IN.

COUPLING	
<input type="checkbox"/>	8mm COUPLING
<input type="checkbox"/>	10mm COUPLING
<input type="checkbox"/>	1/2" MALE COUPLING
<input type="checkbox"/>	SPECIAL COUPLING

CONSTRUCTION	
<input type="checkbox"/>	FULLY ASSEMBLED
<input type="checkbox"/>	NOT ASSEMBLED

NOTES

	B1W-1	<input type="checkbox"/> T-O-T ROCKER SWITCH ON TOP 10A 250V
	B1W-2	<input type="checkbox"/> T-O-R ROCKER SWITCH ON TOP RIGHT SIDE MAINTAINED
	B1W-3	<input type="checkbox"/> R-O-R ROCKER SWITCH ON TOP BOTH SIDES MAINTAINED
	B1WD-1	<input type="checkbox"/> T-O-T ROCKER SWITCH ON TOP 10A 250V <input type="checkbox"/> 0.5A 250V S.P.S.T. SOFT TOUCH ON SIDE
	B1WD-2	<input type="checkbox"/> T-O-T ROCKER SWITCH ON TOP 10A 250V <input type="checkbox"/> 10A 115V S.P.S.T. ON SIDE
	B1WDD-1	<input type="checkbox"/> T-O-T ROCKER SWITCH ON TOP 10A 250V <input type="checkbox"/> 2 0.5A 250V S.P.S.T. SOFT TOUCH ON SIDE
	B1WDD-2	<input type="checkbox"/> T-O-T ROCKER SWITCH ON TOP 10A 250V <input type="checkbox"/> 2 10A 115V S.P.S.T. ON SIDE
	B1D-T-1	<input type="checkbox"/> 4A 250V S.P.D.T. ON TOP
	B1D-T-2	<input type="checkbox"/> 4A 250V S.P.D.T. MAINTAINED ON TOP
	B1D-T-3	<input type="checkbox"/> 0.5A 250V S.P.S.T. SOFT TOUCH ON TOP
	B1D-T-4	<input type="checkbox"/> 10A 115V S.P.S.T. ON TOP
	B1DD-1	<input type="checkbox"/> 4A 250V S.P.D.T. ON TOP <input type="checkbox"/> 0.5A 250V S.P.S.T. SOFT TOUCH ON SIDE
	B1DD-2	<input type="checkbox"/> 4A 250V S.P.D.T. ON TOP <input type="checkbox"/> 10A 115V S.P.S.T. ON SIDE
	B1DD-3	<input type="checkbox"/> 4A 250V S.P.D.T. MAINTAINED ON TOP <input type="checkbox"/> 0.5A 250V S.P.S.T. SOFT TOUCH ON SIDE
	B1DD-4	<input type="checkbox"/> 4A 250V S.P.D.T. MAINTAINED ON TOP <input type="checkbox"/> 10A 115V S.P.S.T. ON SIDE
	B1DD-5	<input type="checkbox"/> 0.5A 250V S.P.S.T. SOFT TOUCH ON TOP <input type="checkbox"/> 0.5A 250V S.P.S.T. SOFT TOUCH ON SIDE
	B1DD-6	<input type="checkbox"/> 10A 115V S.P.S.T. ON TOP <input type="checkbox"/> 10A 115V S.P.S.T. ON SIDE
	B1DDD-1	<input type="checkbox"/> 0.5A 250V S.P.S.T. SOFT TOUCH ON TOP <input type="checkbox"/> 2 0.5A 250V S.P.S.T. SOFT TOUCH ON SIDE
	B1DDD-2	<input type="checkbox"/> 10A 115V S.P.S.T. ON TOP <input type="checkbox"/> 2 10A 115V S.P.S.T. ON SIDE
	B1D-S-1	<input type="checkbox"/> 0.5A 250V S.P.S.T. SOFT TOUCH ON SIDE
	B1D-S-2	<input type="checkbox"/> 10A 115V S.P.S.T. ON SIDE
	B1DD-S-1	<input type="checkbox"/> 2 0.5A 250V S.P.S.T. SOFT TOUCH ON SIDE
	B1DD-S-2	<input type="checkbox"/> 2 10A 115V S.P.S.T. ON SIDE
	B1DDD-S-1	<input type="checkbox"/> 3 0.5A 250V S.P.S.T. SOFT TOUCH ON SIDE
	B1DDD-S-2	<input type="checkbox"/> 3 10A 115V S.P.S.T. ON SIDE
	B1WDL-1	<input type="checkbox"/> 0.5A 250V S.P.S.T. SOFT TOUCH ON TOP <input type="checkbox"/> T-O-T ROCKER SWITCH ON SIDE 4A 250V
	B1WDL-2	<input type="checkbox"/> 10A 115V S.P.S.T. ON TOP <input type="checkbox"/> T-O-T ROCKER SWITCH ON SIDE 4A 250V
	B1DL-1	<input type="checkbox"/> 0.5A 250V S.P.S.T. SOFT TOUCH ON SIDE
	B1DL-2	<input type="checkbox"/> 10A 115V S.P.S.T. ON SIDE

DATE

NAME

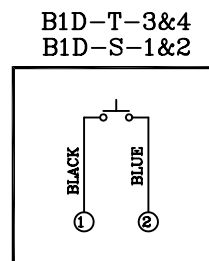
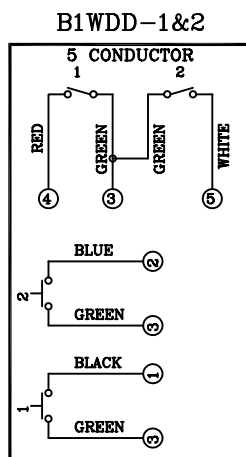
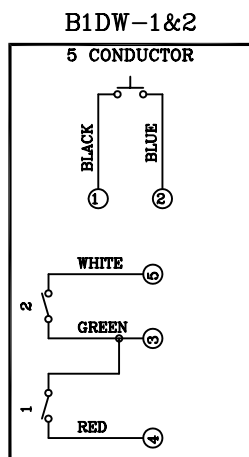
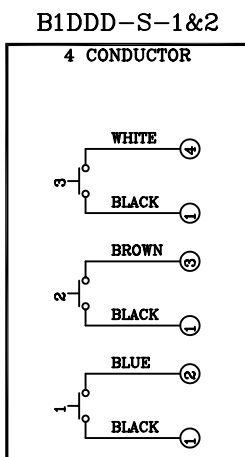
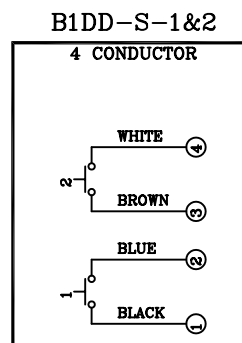
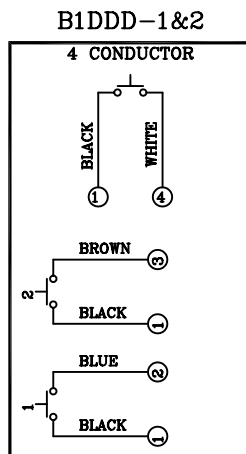
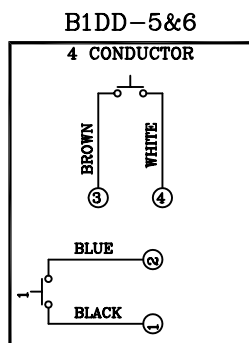
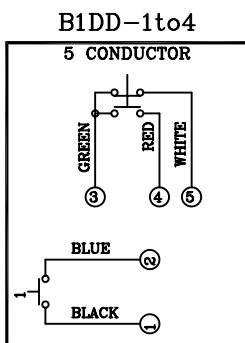
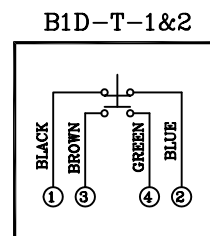
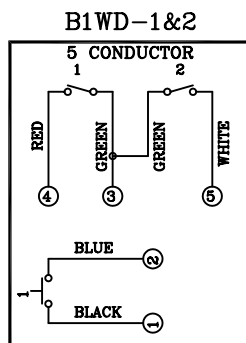
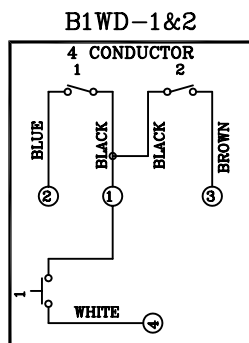
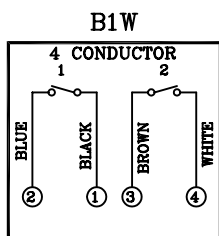
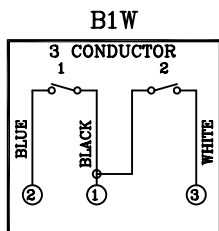
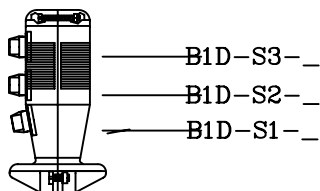
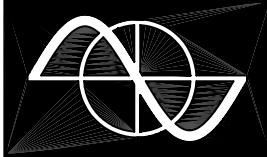
JOB#

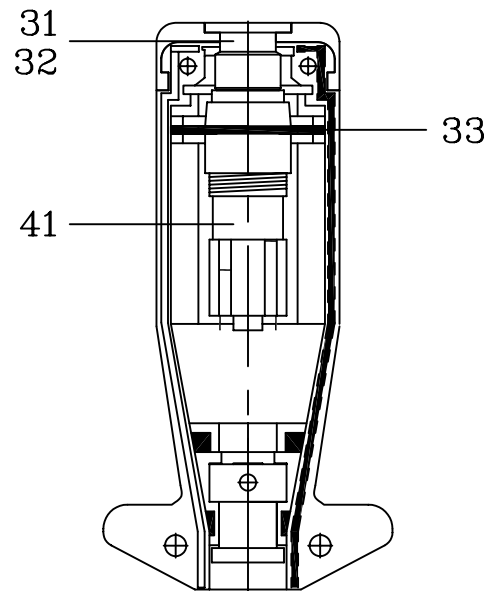
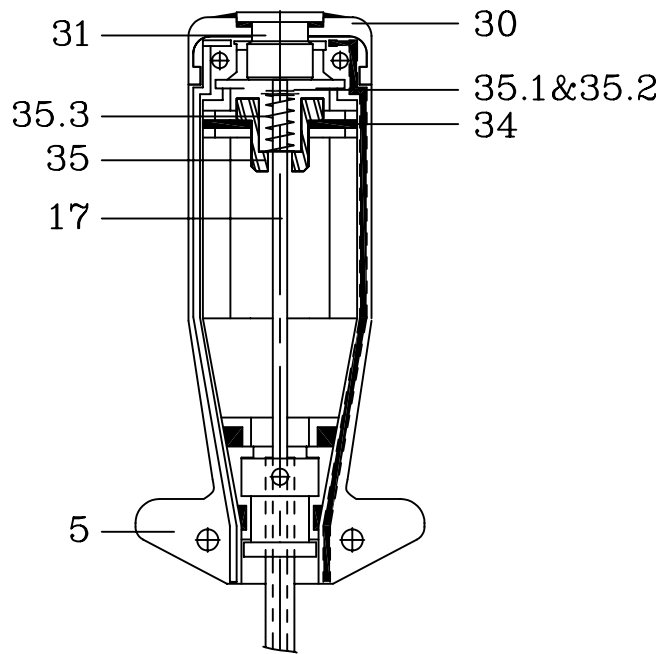
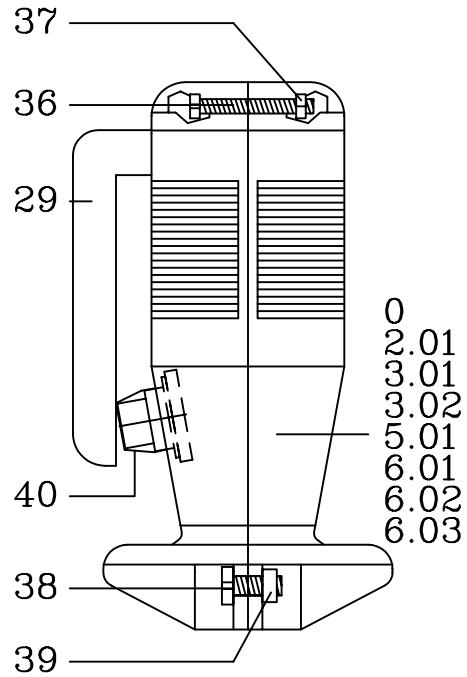
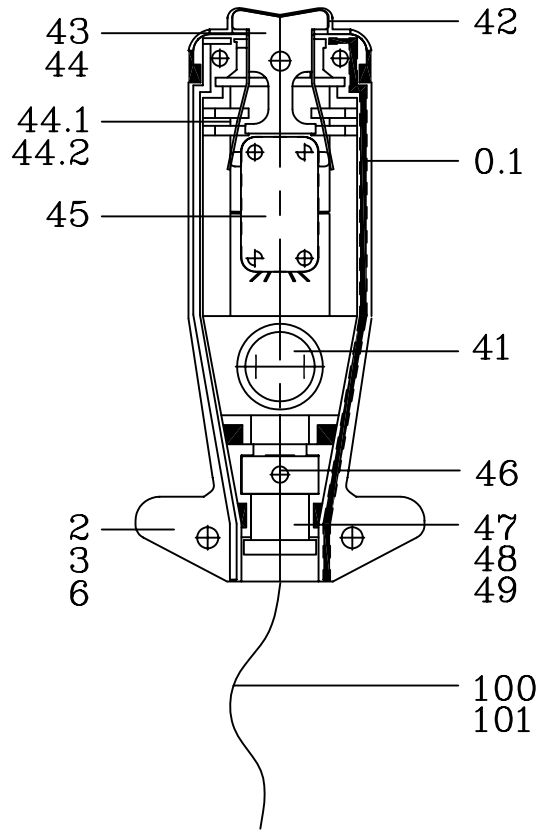
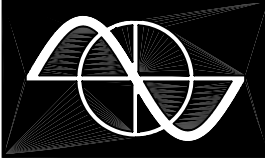
FROM

PART#

**225 ADMIRAL BLVD. MISSISSAUGA, ONTARIO. L5T 2T3**

**TEL: (905) 564-0167  
FAX: (905) 564-6633**







<b>PART#</b>	<b>DESCRIPTION</b>
0	1/2 HANDLE ONLY
0.1	GASKET
2	2 PIECE HANDLE FOR B1W c/w SCREWS & GASKET
2.01	1/2 HANDLE ONLY FOR B1W
3.1	2 PIECE HANDLE FOR B1WD-1 S.T BUTTON c/w SCREWS & GASKET
3.2	2 PIECE HANDLE FOR B1WD-2 WT. BUTTON c/w SCREWS & GASKET
3.01	1/2 HANDLE ONLY FOR B1WD-1 SOFT TOUCH PUSHBUTTON
3.02	1/2 HANDLE ONLY FOR B1WD-2 WATERTIGHT PUSHBUTTON
5	2 PIECE HANDLE FOR B1T c/w SCREWS & GASKET
5.01	1/2 HANDLE ONLY FOR B1T
6.1	2 PIECE HANDLE FOR B1DD-1 S.T BUTTON c/w SCREWS & GASKET
6.2	2 PIECE HANDLE FOR B1DD-2 WT. BUTTON c/w SCREWS & GASKET
6.01	1/2 HANDLE ONLY FOR B1DD-1 SOFT TOUCH PUSHBUTTON
6.02	1/2 HANDLE ONLY FOR B1DD-2 WATERTIGHT PUSHBUTTON
6.3	2 PIECE HANDLE FOR B1DL-2 WATERTIGHT PUSHBUTTON c/w LEVER, SCREWS & GASKET
6.03	1/2 HANDLE ONLY FOR B1DL-2 WATERTIGHT PUSHBUTTON c/w LEVER & PUSHBUTTON
17	DEADMAN ROD REFER TO CR. NUMBER
29	PUSHBUTTON LEVER
30	TOP BOOT FOR PUSHBUTTON BLACK
30.1	TOP BOOT FOR PUSHBUTTON RED
31	PUSHBUTTON ACTUATOR
32	PUSHBUTTON ACTUATOR FOR WATERTIGHT PUSHBUTTON
33	MOUNTING WASHER FOR WATERTIGHT PUSHBUTTON
33.1	MOUNTING WASHER FOR SOFT TOUCH PUSHBUTTON
34	MOUNTING WASHER FOR HOUSING
35	HOUSING
35.1	EYE CLIP
35.2	FLAT WASHER
35.3	SPRING
36	CHEESE HEAD SCREW M3x16
37	HEXAGON NUT M3
38	PAN HEAD SCREW M4x10
39	HEXAGON NUT M4
40	BOOT FOR SOFT TOUCH PUSHBUTTON
41	PUSHBUTTON REFER TOPH NUMBER OR CR NUMBER
42	TOP BOOT FOR ROCKER ACTUATOR BLACK
42.1	TOP BOOT FOR ROCKER ACTUATOR RED
43	ROCKER SWITCH ACTUATOR T-O-T
44	ROCKER SWITCH ACTUATOR R-O-R OR R-O-T
44.1	ROCKER SWITCH ACTUATOR BAR T-O-T
44.2	ROCKER SWITCH ACTUATOR BAR R-O-T
45	MICROSWITCH
46	HEX SOCKET SET SCREW M4x5
47	8mm COUPLING
48	8mm COUPLING FOR V10
49	10mm COUPLING
100	CABLE REFER TO PH NUMBER OR CR. NUMBER
101	WIRES REFER TO PH NUMBER OR CR. NUMBER