

THE ROTATABLE MACS1 OPERATOR STAND MEETS THE HIGHEST DEMAND OF COMFORT AND QUALITY.

THE STANDARD DESIGN INCLUDES THE FOLLOWING:

EQUIPMENT BOXES:

THE TOP LID WITH THE DEVICES CAN BE RAISED AND LOCKED INTO POSITION. THE EXTERNAL WIRING IS RUN THROUGH A CONDUIT FROM THE EQUIPMENT BOXES TO THE CROSS MEMBER.

SEAT:

COMFORTABLE SPRING MOUNTED SEAT CSS-KV1 WITH A PNEUMATIC VIBRATION ABSORPTION SYSTEM BY A 24V DC COMPRESSOR, WEIGHT ADJUSTMENT. AIR PERMEABLE ARTIFICIAL LEATHER OR TEXTILE MATERIAL.

MANUAL ADJUSTMENTS:

SEAT HORIZONTALLY AND VERTICALLY, INCLINATION OF CUSHION, BACK REST AND ARM RESTS ALSO ADJUSTABLE, WEIGHT SETTING FOR OPTIMUM SPRING SUSPENSION.

MOTORIZED ADJUSTMENTS:

SEAT WITH EQUIPMENT BOXES HORIZONTAL (INCLINATIONS ADJUSTMENTS FORWARD/BACKWARD),
EQUIPMENT BOXES HORIZONTAL. (CAN BE MANUAL)
EQUIPMENT BOXES VERTICALLY.
SELECTOR SWITCHES FOR MOTORIZED DRIVES ARE IN THE EQUIPMENT BOX.
MOTOR 12V DC ca. 30 AMPERE.

CROSS MEMBER:

THE TOP CAN BE RAISED TO LAY WIRING. THE SEAT WITH THE BOXES CAN BE TILTED FORWARD SO THAT THE WIRING IN THE CROSS MEMBER IS ACCESSIBLE.

SWIVEL BASE:

ZERO END FLOAT SPRING LOADED BEARING. ROTATION MOVEMENT 90° LEFT, 180° RIGHT STOPPED BY A FRICTION BRAKE.
AN ELECTRICAL ROTATION IS AVAILABLE.

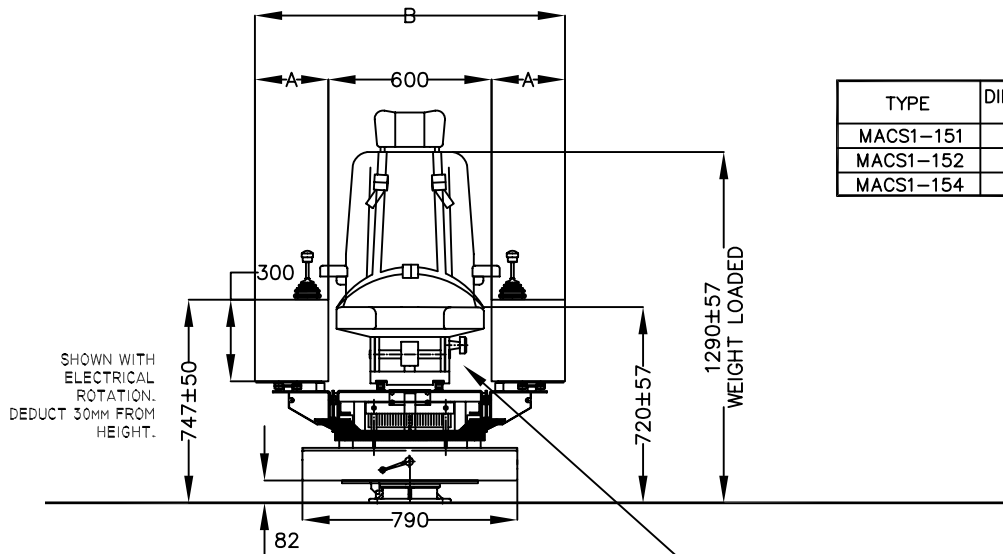
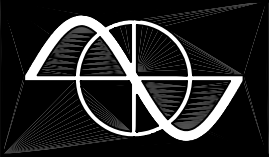
SURFACE TREATMENT: ANTI-CORROSION PRIMER, TOP COAT:

2 COATS OF EPOXY-RESIN PAINT, STANDARD COLOUR RAL 7032 PEBBLE GREY.
ALL NON-PAINTED METAL PARTS ARE ELECTROGALVANIZED AND CHROMED.

OPERATION -40° TO +60°C
STORAGE -50° TO +80°C
DEGREE OF PROTECTION IP54

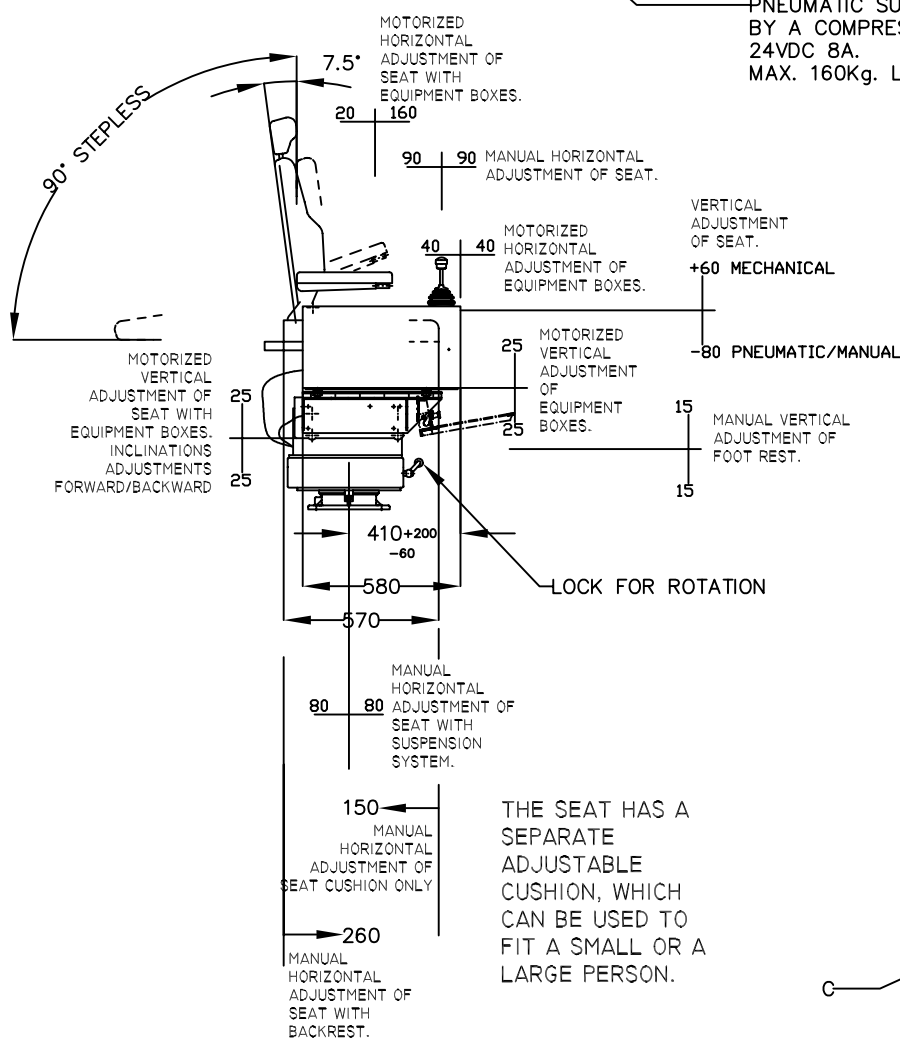
OPTIONS

POS.	DESCRIPTION	TYPE
1	STANDARD CONTROL STATION WITH 200 x 580 mm EQUIPMENT BOXES	MACS1-151
2	STANDARD CONTROL STATION WITH 270 x 580 mm EQUIPMENT BOXES	MACS1-152
3	STANDARD CONTROL STATION WITH 320 x 580 mm EQUIPMENT BOXES	MACS1-154
4	STANDARD CONTROL STATION WITH CUSTOM DESIGNED EQUIPMENT BOXES	MACS1-15x
5	ADDITIONAL VARIATIONS FOR DRIVER'S SEAT CSS-KV1. SEE PAGE 8.52.1	
6	DRIVER'S SEAT CSS-KV2. SEE PAGE 8.52.2	CCSS-KV2
7	MONITOR MOUNTING SUPPORT LEFT OR RIGHT	MM
8	FOOT REST MOUNTED UNDER SEAT ADJUSTABLE ±15 mm	FR
9	BASE FOR HORIZONTAL MANUAL ADJ. OF CONTROL STATION. ADJUSTABLE 465 mm. ADD 58 mm TO HEIGHT	MB
10	MOTORIZED OR MANUAL ADJUSTMENT OF EQUIPMENT BOXES VERTICAL ADJUSTABLE ±25 mm	EB__
11	MOTORIZED ADJUSTMENT OF EQUIPMENT BOXES HORIZONTAL ADJUSTABLE ±40 mm	EBH
12	MOTORIZED ADJUSTMENT OF CONTROL STATION ROTATION 24V DC SEAT HEIGHT +30 mm	MR
13	MASTER SWITCHES SEE SECTIONS 1 TO 4	MS
14	EXTRA DEVICES 22.5 mm	XD
15	WIRING TO TERMINAL STRIP	W
16	SPECIAL PAINT	SP

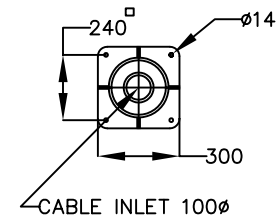


TYPE	DIMENSION A	DIMENSION B	DIMENSION C
MACS1-151	200	1000	800
MACS1-152	270	1140	845
MACS1-154	320	1240	880

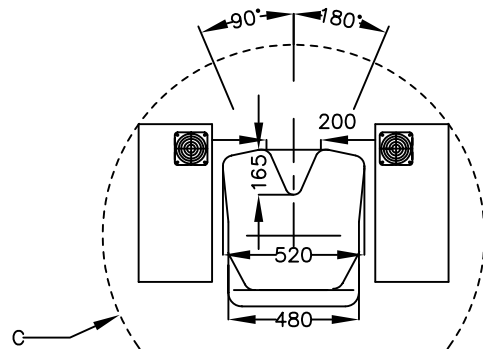
PNEUMATIC SUSPENSION SYSTEM
BY A COMPRESSOR.
24VDC 8A.
MAX. 160Kg. LOAD



MOUNTING DIMENSIONS



**OPERATOR VIEW
ELECTRICAL ROTATION
CHAIR ROTATION**



THE SEAT HAS A
SEPARATE
ADJUSTABLE
CUSHION, WHICH
CAN BE USED TO
FIT A SMALL OR A
LARGE PERSON.