

OPERATION -40° TO +60°C
STORAGE -50° TO +80°C
DEGREE OF PROTECTION IP54

THE ROTATABLE LCS5R-1 OPERATOR STAND MEETS THE HIGHEST DEMAND OF COMFORT AND QUALITY.

THE STANDARD DESIGN INCLUDES THE FOLLOWING:

EQUIPMENT BOXES:

THE TOP LID WITH THE DEVICES CAN BE RAISED AND LOCKED INTO POSITION. THE ARM RESTS ARE ATTACHED TO THE SEAT. THE TERMINAL STRIP IS EASILY ACCESSIBLE VIA AN OPENING ON THE INSIDE THAT CAN BE CLOSED WITH A LOCKABLE COVER.

SEAT:

COMFORTABLE SPRING MOUNTED SEAT CSS-G1 WITH A HYDRAULIC SHOCK ABSORBER, WEIGHT ADJUSTMENT. AIR PERMEABLE ARTIFICIAL LEATHER OR TEXTILE MATERIAL.

MANUAL ADJUSTMENTS:

SEAT HORIZONTALLY AND VERTICALLY, INCLINATION OF CUSHION, BACK REST AND ARM RESTS ALSO ADJUSTABLE, WEIGHT SETTING FOR OPTIMUM SPRING SUSPENSION.

CROSS MEMBER:

THE TOP CAN BE RAISED TO LAY WIRING. THE SEAT CAN BE TILTED FORWARD SO THAT THE WIRING IN THE CROSS MEMBER IS ACCESSIBLE.

SWIVEL BASE:

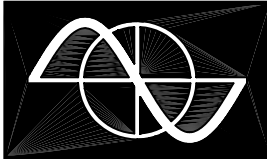
ZERO END FLOAT SPRING LOADED BEARING. ROTATION MOVEMENT 90° LEFT, 180° RIGHT STOPPED BY A FRICTION BRAKE. AN ELECTRICAL ROTATION IS AVAILABLE.

SURFACE TREATMENT: ANTI-CORROSION PRIMER, TOP COAT:

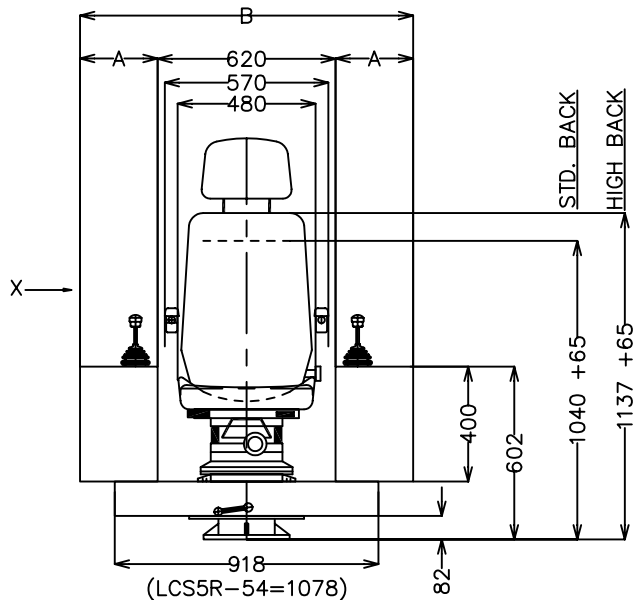
2 COATS OF EPOXY-RESIN PAINT, STANDARD COLOUR RAL 7032 PEBBLE GREY. ALL NON-PAINTED METAL PARTS ARE ELECTROGALVANIZED AND CHROMED.

OPTIONS

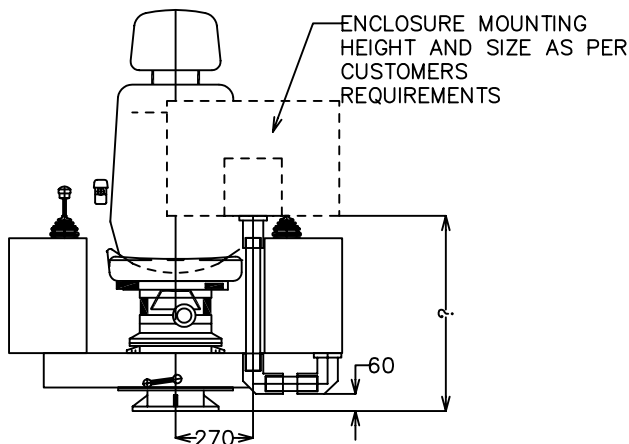
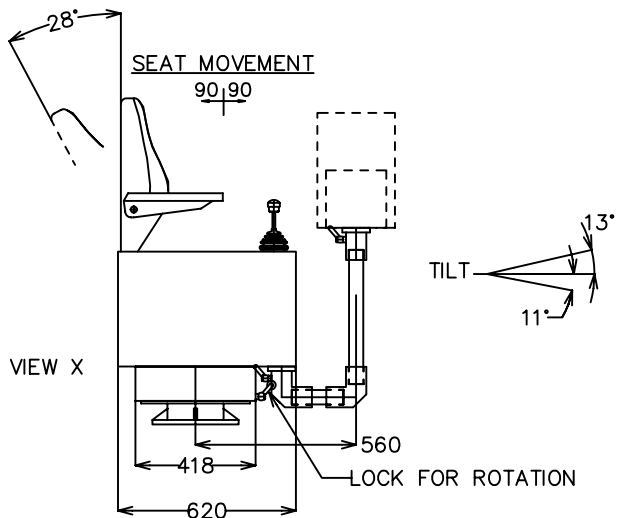
POS.	DESCRIPTION	TYPE
1	STANDARD CONTROL STATION WITH 200 x 620 mm EQUIPMENT BOXES	LCS5R-151
2	STANDARD CONTROL STATION WITH 270 x 620 mm EQUIPMENT BOXES	LCS5R-152
3	STANDARD CONTROL STATION WITH 320 x 620 mm EQUIPMENT BOXES	LCS5R-154
4	STANDARD CONTROL STATION WITH CUSTOM DESIGNED EQUIPMENT BOXES	LCS5R-15x
5	ADDITIONAL VARIATIONS FOR DRIVER'S SEAT CSS-I1. SEE PAGE 8.50.1	
6	OTHER DRIVER'S SEATS SEE PAGES 8.50, 8.51 & 8.52	
7	MONITOR MOUNTING SUPPORT LEFT OR RIGHT	MM
8	FOOT REST MOUNTED ONTO SWIVEL BASE ADJUSTABLE ±15 mm	FR
9	BASE FOR HORIZONTAL MANUAL ADJUSTMENT OF CONTROL STATION. ADJ. 465mm. ADD 58 mm TO HEIGHT	MB
10	MANUAL ADJUSTMENT OF EQUIPMENT BOXES HORIZONTAL ADJUSTABLE ±75 mm	EBH
11	MANUAL ADJUSTMENT OF CONTROL STATION VERTICAL (GAS LOADED SPRING) ADJUSTABLE 80mm	CSV
12	MOTORIZED ADJUSTMENT OF CONTROL STATION ROTATION 24V DC SEAT HEIGHT +30 mm	MR
13	MASTER SWITCHES SEE SECTIONS 1 TO 4	MS
14	EXTRA DEVICES 22.5 mm	XD
15	WIRING TO TERMINAL STRIP	W
16	SPECIAL PAINT	SP



ARM RESTS ARE MOUNTED ON THE SEAT.



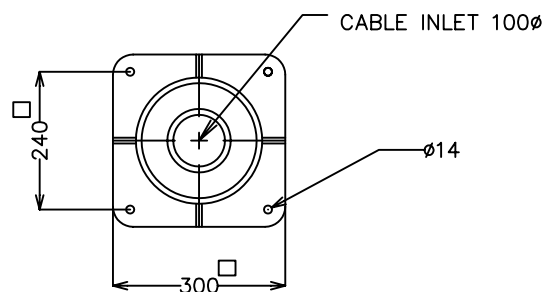
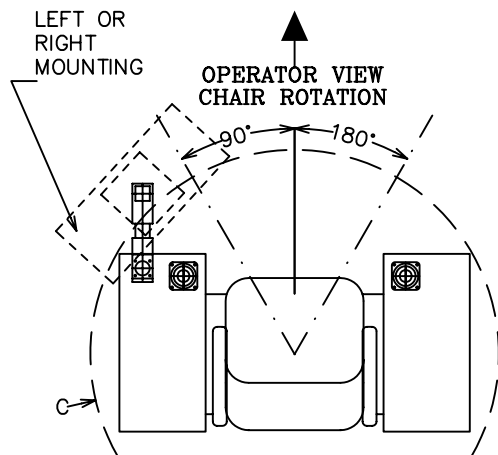
SHOWN WITH SEAT SUSPENSION AT
MID RIDE & SEAT HEIGHT ADJ. AT LOW
POSITION

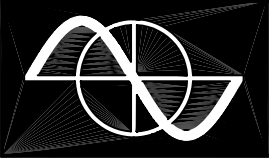


TYPE	DIMENSION A	DIMENSION B	DIMENSION C *
LCS5R-151	200	1020	620
LCS5R-152	270	1160	680
LCS5R-154	320	1280	730

* WITHOUT MONITOR

MOUNTING DIMENSIONS





OPERATION -40° TO +60°C
STORAGE -50° TO +80°C
DEGREE OF PROTECTION IP54

THE ROTATABLE LCS5R-2 OPERATOR STAND MEETS THE HIGHEST DEMAND OF COMFORT AND QUALITY.

THE STANDARD DESIGN INCLUDES THE FOLLOWING:

EQUIPMENT BOXES:

THE TOP LID WITH THE DEVICES CAN BE RAISED AND LOCKED INTO POSITION. THE ARM RESTS ARE ATTACHED TO THE EQUIPMENT BOXES. THE TERMINAL STRIP IS EASILY ACCESSIBLE VIA AN OPENING ON THE INSIDE THAT CAN BE CLOSED WITH A LOCKABLE COVER.

SEAT:

COMFORTABLE SPRING MOUNTED SEAT CSS-G1 WITH A HYDRAULIC SHOCK ABSORBER, WEIGHT ADJUSTMENT. AIR PERMEABLE ARTIFICIAL LEATHER OR TEXTILE MATERIAL.

MANUAL ADJUSTMENTS:

SEAT HORIZONTALLY AND VERTICALLY, INCLINATION OF CUSHION & BACK REST. THE ARM RESTS ARE ALSO ADJUSTABLE BY 150mm. WEIGHT SETTING FOR OPTIMUM SPRING SUSPENSION.

CROSS MEMBER:

THE TOP CAN BE RAISED TO LAY WIRING. THE SEAT CAN BE TILTED FORWARD SO THAT THE WIRING IN THE CROSS MEMBER IS ACCESSIBLE.

SWIVEL BASE:

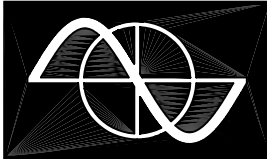
ZERO END FLOAT SPRING LOADED BEARING. ROTATION MOVEMENT 90° LEFT, 180° RIGHT STOPPED BY A FRICTION BRAKE. AN ELECTRICAL ROTATION IS AVAILABLE.

SURFACE TREATMENT: ANTI-CORROSION PRIMER, TOP COAT:

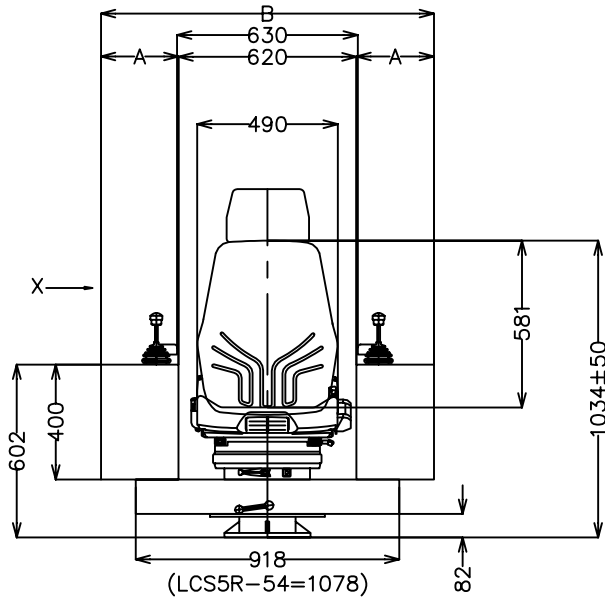
2 COATS OF EPOXY-RESIN PAINT, STANDARD COLOUR RAL 7032 PEBBLE GREY. ALL NON-PAINTED METAL PARTS ARE ELECTROGALVANIZED AND CHROMED.

OPTIONS

POS.	DESCRIPTION	TYPE
1	STANDARD CONTROL STATION WITH 200 x 620 mm EQUIPMENT BOXES	LCS5R-251
2	STANDARD CONTROL STATION WITH 270 x 620 mm EQUIPMENT BOXES	LCS5R-252
3	STANDARD CONTROL STATION WITH 320 x 620 mm EQUIPMENT BOXES	LCS5R-254
4	STANDARD CONTROL STATION WITH CUSTOM DESIGNED EQUIPMENT BOXES	LCS5R-25x
5	ADDITIONAL VARIATIONS FOR DRIVER'S SEAT CSS-G1. SEE PAGE 8.51.1	
6	OTHER DRIVER'S SEATS SEE PAGES 8.50, 8.51 & 8.52	
7	MONITOR MOUNTING SUPPORT LEFT OR RIGHT	MM
8	FOOT REST MOUNTED ONTO SWIVEL BASE ADJUSTABLE ±15 mm	FR
9	BASE FOR HORIZONTAL MANUAL ADJUSTMENT OF CONTROL STATION. ADJ. 465 mm. ADD 58 mm TO HEIGHT	MB
10	MANUAL ADJUSTMENT OF EQUIPMENT BOXES HORIZONTAL ADJUSTABLE ±75 mm	EB
11	MANUAL ADJUSTMENT OF CONTROL STATION VERTICAL (GAS LOADED SPRING) ADJUSTABLE 80mm	CSV
12	MOTORIZED ADJUSTMENT OF CONTROL STATION ROTATION 24V DC SEAT HEIGHT +30 mm	MR
13	MASTER SWITCHES SEE SECTIONS 1 TO 4	MS
14	EXTRA DEVICES 22.5 mm	XD
15	WIRING TO TERMINAL STRIP	W
16	SPECIAL PAINT	SP



ARM RESTS ARE MOUNTED ON THE ENCLOSURES.



SEAT MOVEMENT

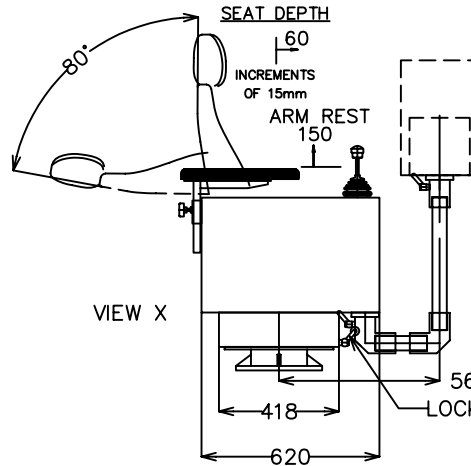
90/120
INCREMENTS
OF 10mm

SEAT DEPTH

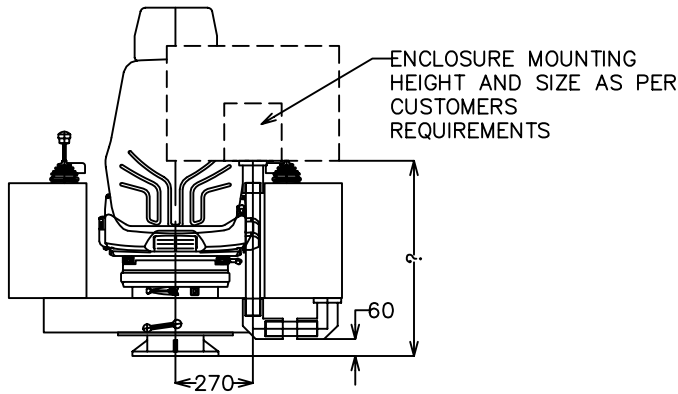
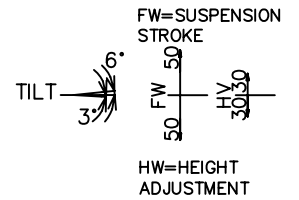
60
INCREMENTS
OF 15mm

ARM REST

150



VIEW X



TYPE	DIMENSION A	DIMENSION B	DIMENSION C *
LCS5R-251	200	1020	620
LCS5R-252	270	1160	680
LCS5R-254	320	1280	730

* WITHOUT MONITOR

MOUNTING DIMENSIONS

