



Type KST19KFS102-...

The swivelling crane control unit KST 19 is designed in accordance with ergonomical and medical guidelines and provides a high grade of comfort.

The standard design includes following:

Equipment boxes: Plastic with armrest. The top panel of the equipment box (screwed together) includes the devices. Cabling is run through a duct into the cross-member. (Terminal block).

Seat: Comfortable spring mounted seat KFS 10, with a pneumatic vibration absorption system by compressor 24 V DC, weight adjustment and airpermeable artificial leather or textil material, with headrest and seat cushion deep prolongation.

Manual adjustments: (see catalog 2/111 Pos.)

- 1 Crane control unit swiveling
- 2 Horizontal adjustment seat with equipment boxes
- 3 Vertical weight adjustment seat incl. equipment boxes
- 5 Backrest adjustable
- 6 Horizontal adjustment of seat
- 7 Left / right equipment box is tiltable
- 8 Horizontal adjustment equipment box
- 9 Height adjustment equipment boxes to seat
- 10 Equipment boxes adjustment
- 11 Inclination adjustment of equipment boxes
- 12 Monitor mounting support rotatable

Cross-member: Steel section, can be opened (system tray) for easy accessibility of the terminals.

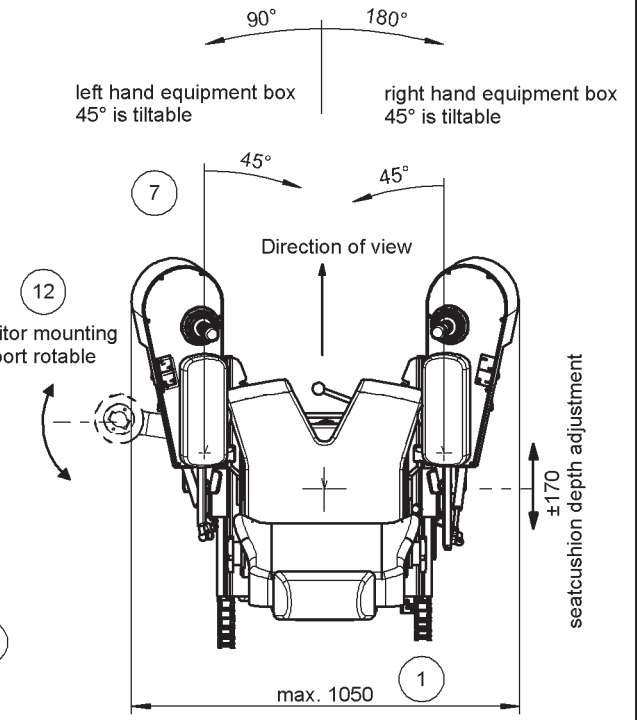
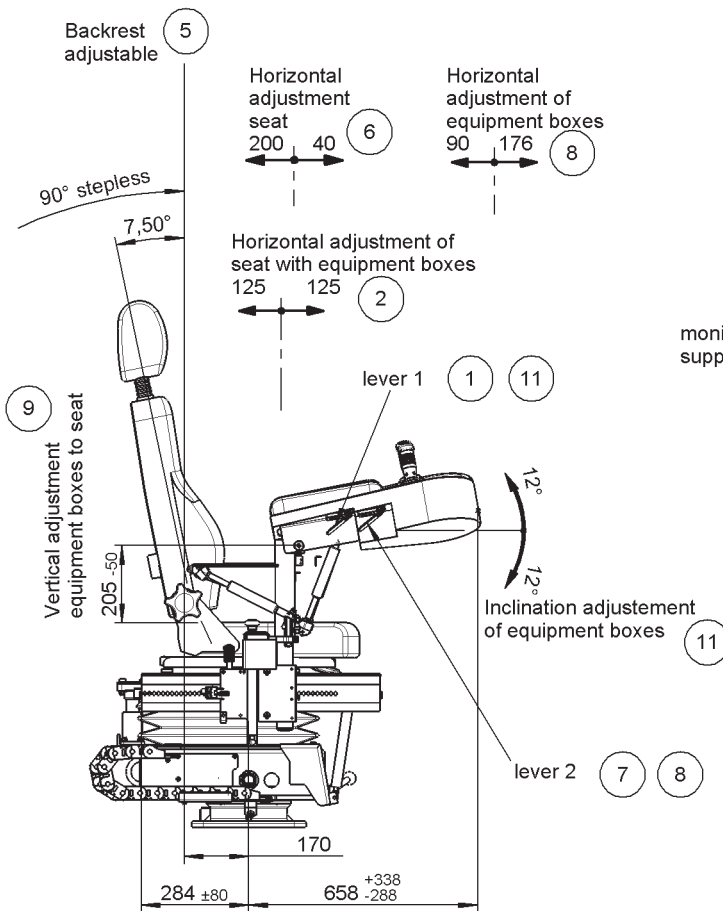
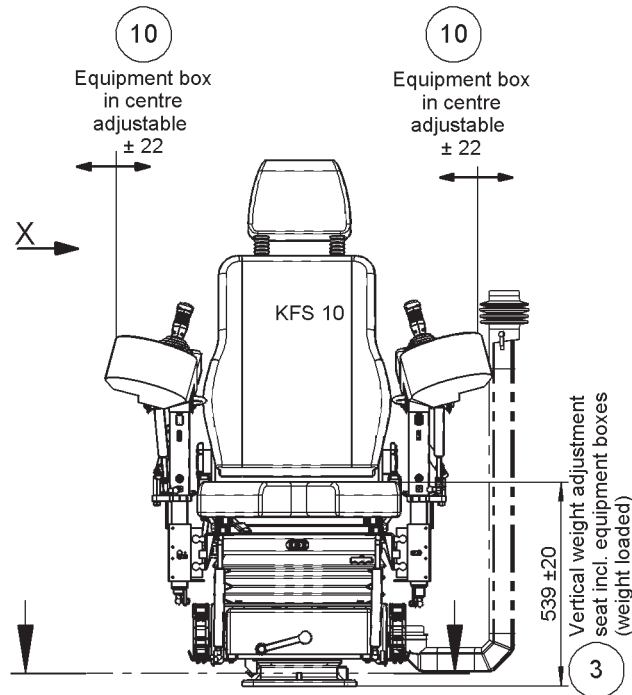
Swivel base: Zero-end-float spring-loaded bearing. Rotational movement 180° right, 90° left, stopped by friction brake.

Surface treatment: Anti-corrosion primer, top coat: 2 coats of epoxy-resin paint, standard colour RAL 7000 fairy-grey. textured varnish
All non-painted metal parts are electrogalvanized and chromed.

Description data see catalog 4/029

| | |
|---------------------------------|----------------------------|
| Permissible ambient temperature | Operation -40° C to +60° C |
| | Storage -50° C to +80° C |
| Climate resistance | |
| Damp heat constant | IEC 60068-2-78 |
| Damp heat cyclic | IEC 60068-2-30 |
| Degree of protection | IP 54 IEC/EN 60529 |

| Pos. | | | | Weight kg | Type | Price EURO |
|------|---|-------------------|--|--------------|--------|---------------|
| 1 | Crane control unit | standard design | | 140 | KST 19 | |
| 2 | | | | | | |
| 3 | | | | | | |
| 6 | additional variations for driver's seat KFS 10 | see catalog 2/142 | | | KFS 10 | |
| 7 | | | | | | |
| 9 | Monitor mounting support left or right | | | 10 | | |
| 10 | Footrest (required) mounted onto swivel base adjustable ± 15 mm | | | 8 | | |
| 11 | | | | | | |
| 12 | | | | | | |
| 13 | Plate for horizontal manual adjustment of control unit adjustable ± 250 mm | | | 95 | | |
| 14 | | | | | | |
| 20 | Multi-axis controller V 11, V 14, V 25, V 85 | see catalog 1/110 | | | | |
| 21 | | | | | | |
| 22 | | | | | | |
| 23 | | | | | | |
| 24 | Command and indicating devices | see catalog 1/360 | | | | |
| 30 | Terminal block 4 mm ² without wiring each terminal | | | | KL | |
| 31 | Terminal block 4 mm ² with wiring wire 1 mm ² each terminal | | | | KL | |
| 32 | External wiring single wire highly flexible 1,5 mm ² 5 metre long | | | | | |
| 33 | Additional or subtract price each metre | | | | | |
| 40 | Special painted | | | | | |
| 41 | Indicating labels not engraved with 2 or 4 arrows | | | | | |
| 42 | Engraving, each 10 characters | | | | | |



Turning circle: without monitor:
working position = 750 mm
min. = 590 mm
max. = 1100 mm

view X

