

THE STATIONARY CCSS1 OPERATOR STAND MEETS THE HIGHEST DEMAND OF COMFORT AND QUALITY.

THE STANDARD DESIGN INCLUDES THE FOLLOWING:

EQUIPMENT BOXES:

ARE MADE OF PLASTIC. TO BE USED WITH A V8 MASTER SWITCH. THERE IS AN UPWARD FOLDING MOVEMENT WITH A DEAD MAN MICRO SWITCH FOR EACH EQUIPMENT BOX. WIRING IS DONE THROUGH A CONDUIT FROM THE BACK OF THE EQUIPMENT BOX TO A TERMINAL STRIP ENCLOSURE WHICH IS MOUNTED BEHIND THE SEAT.

SEAT:

COMFORTABLE SPRING MOUNTED SEAT WITH A HYDRAULIC SHOCK ABSORBER, WEIGHT ADJUSTMENT. BLACK PVC VINYL OR BLACK CLOTH.

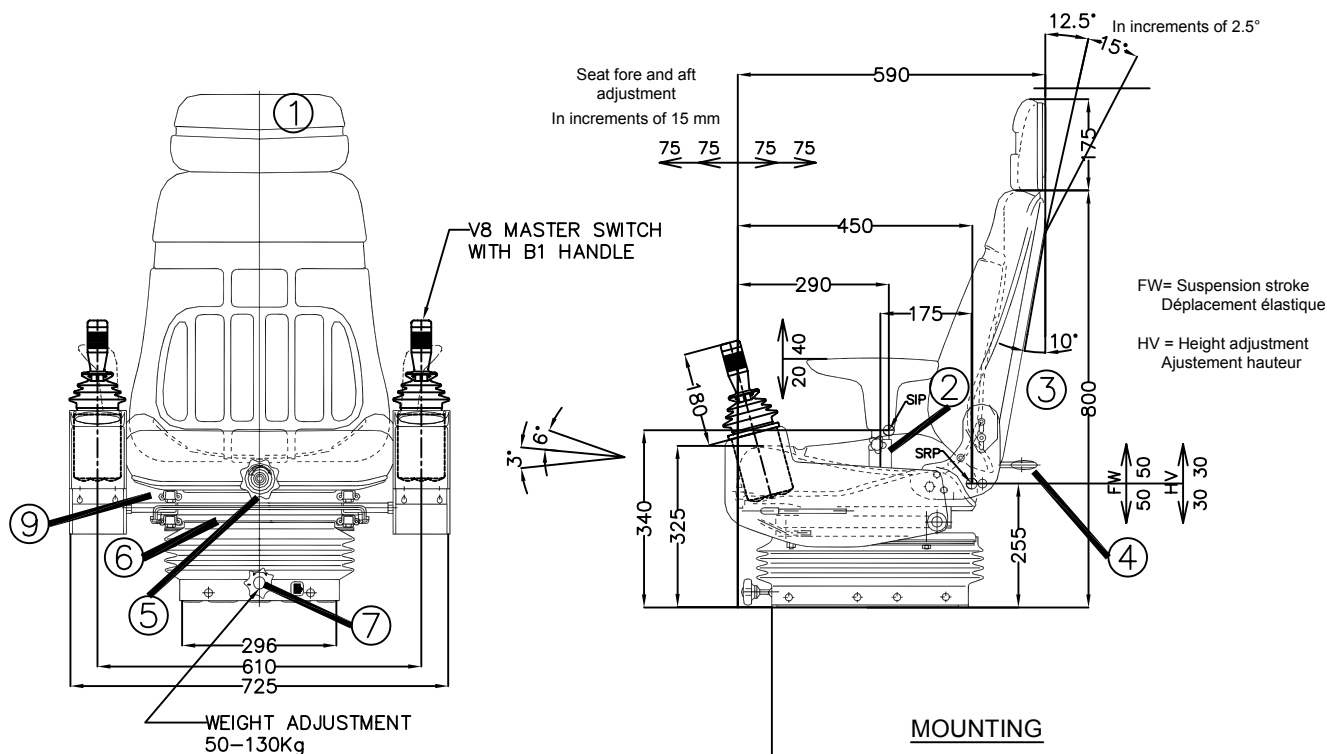
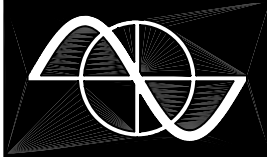
MANUAL ADJUSTMENTS:

SEAT HORIZONTALLY AND VERTICALLY, INCLINATION OF CUSHION, BACK REST. ARM RESTS HAVE A VERTICAL ADJUSTMENT OF 60mm.

OPERATION -40° TO +60°C
STORAGE -50° TO +80°C

OPTIONS

POS.	DESCRIPTION	TYPE
1	STANDARD CONTROL STATION WITH EQUIPMENT BOXES	CCSS1-1
13	V8 MASTER SWITCH SEE SECTIONS 1.9	MS
14	EXTRA DEVICES	XD
15	WIRING TO TERMINAL STRIP	W



SEAT ADJUSTMENTS

1	HEAD REST
2	ARM RESTS
3	LUMBAR SUPPORT
4	BACK REST
5	SEAT SLOPE
6	SLIDE FRONT & REAR WITH SUSPENSION
7	SUSPENSION ADJUSTMENT
9	SLIDE FRONT & REAR WITH BACK REST

All indicated dimensions are in mm
Toutes les dimensions sont en mm

Technical and dimensional modifications reserved!
Modifications et dimensions technique réservés!

*** SAFETY NOTICE ***

Seat restraints, static or retractable lap belts, are available. The nature and environment of product use dictates the employment of this device. Grammer seating is a component part, therefore the purchaser of any seat must exercise this choice. Grammer recommends the use of seat restraints whenever appropriate. Strict adherence to ALL safety procedures is recommended.

OPTIONS

POS.	DESCRIPTION	TYPE
1	BLACK PVC VINYL	BV
2	BLACK CLOTH	BC
3	SEAT BELT STATIC OR RETRACTABLE	SB
4	HEAD REST	HR
8	LUMBAR SUPPORT	LS